

SECTION **SE**
SEAT

A
B
C

CONTENTS

D
E

PRECAUTION	4	Lumbar Support Switch	13	F
PRECAUTIONS	4	Side Support Switch	13	
Precaution for Supplemental Restraint System (SRS) "AIR BAG" and "SEAT BELT PRE-TENSIONER"	4	SYSTEM	14	G
Precautions for Removing Battery Terminal	4	POWER SEAT SYSTEM	14	
Service Notice	4	POWER SEAT SYSTEM : System Description	14	H
Precaution for Work	5	POWER SEAT SYSTEM : Circuit Diagram	15	
PREPARATION	6	LUMBAR SUPPORT SYSTEM	15	I
PREPARATION	6	LUMBAR SUPPORT SYSTEM : System Description	15	
Special Service Tool	6	SIDE SUPPORT SYSTEM	15	
Commercial Service Tool	6	SIDE SUPPORT SYSTEM : System Description	15	SE
CLIP LIST	7	TILT & TELESCOPIC SYSTEM	16	
Clip List	7	TILT & TELESCOPIC SYSTEM : System Description	16	K
SYSTEM DESCRIPTION	8	TILT & TELESCOPIC SYSTEM : Circuit Diagram	17	
COMPONENT PARTS	8	HEATED SEAT SYSTEM	17	L
POWER SEAT SYSTEM	8	HEATED SEAT SYSTEM : System Description	18	
POWER SEAT SYSTEM : Component Parts Location	8	HEATED SEAT SYSTEM : Circuit Diagram	20	
LUMBAR SUPPORT SYSTEM	9	ECU DIAGNOSIS INFORMATION	21	M
LUMBAR SUPPORT SYSTEM : Component Parts Location	9	DRIVER SEAT CONTROL UNIT, AUTOMATIC DRIVE POSITIONER CONTROL UNIT, A/C AUTO AMP.	21	N
SIDE SUPPORT SYSTEM	9	List of ECU Reference	21	
SIDE SUPPORT SYSTEM : Component Parts Location	10	WIRING DIAGRAM	22	O
TILT & TELESCOPIC SYSTEM	10	POWER SEAT CONTROL SYSTEM	22	
TILT & TELESCOPIC SYSTEM : Component Parts Location	11	Wiring Diagram (Driver Side Without Automatic Drive Positioner)	22	P
HEATED SEAT SYSTEM	11	Wiring Diagram (Passenger Side)	27	
HEATED SEAT SYSTEM : Component Parts Location	12	LUMBAR SUPPORT SYSTEM	31	
Power Seat Switch	12	Wiring Diagram	31	
		SIDE SUPPORT SYSTEM	35	

F
G

H
I

K
L

M
N

O
P

Wiring Diagram	35	STEERING POSITION FUNCTION DOES NOT OPERATE	69
TILT & TELESCOPIC SYSTEM	39	Diagnosis Procedure	69
Wiring Diagram	39	TILT FUNCTION DOES NOT OPERATE	70
HEATED SEAT SYSTEM	44	Diagnosis Procedure	70
Wiring Diagram	44	TELESCOPIC FUNCTION DOES NOT OPERATE	71
BASIC INSPECTION	50	Diagnosis Procedure	71
DIAGNOSIS AND REPAIR WORK FLOW	50	SQUEAK AND RATTLE TROUBLE DIAGNOSES	72
Work Flow	50	Work Flow	72
DTC/CIRCUIT DIAGNOSIS	53	Inspection Procedure	74
B277E HEAT SENSOR	53	Diagnostic Worksheet	76
DTC Description	53	REMOVAL AND INSTALLATION	78
Diagnosis Procedure	53	FRONT SEAT	78
B277F HEAT SENSOR	55	Exploded View	78
DTC Description	55	Removal and Installation	79
Diagnosis Procedure	55	SEATBACK	81
B27AF HEAT SENSOR	57	SEATBACK : Disassembly and Assembly	81
DTC Description	57	SEAT CUSHION	86
Diagnosis Procedure	57	SEAT CUSHION : Disassembly and Assembly	86
B27CF HEAT SENSOR	59	SEAT CUSHION FINISHER	88
DTC Description	59	SEAT CUSHION FINISHER : Removal and Installation	88
Diagnosis Procedure	59	REAR SEAT (BENCH SEAT)	94
HEATED SEAT RELAY	61	Exploded View	94
Component Function Check	61	ARMREST	95
Diagnosis Procedure	61	ARMREST : Removal and Installation	95
Component Inspection	62	ARMREST : Disassembly and Assembly	95
SEAT CUSHION HEATER	63	SEAT CUSHION	97
DRIVER SIDE	63	SEAT CUSHION : Removal and Installation	97
DRIVER SIDE : Component Function Check	63	SEAT CUSHION : Disassembly and Assembly	97
DRIVER SIDE : Diagnosis Procedure	63	SEATBACK	97
PASSENGER SIDE	64	SEATBACK : Removal and Installation	97
PASSENGER SIDE :		SEATBACK : Disassembly and Assembly	98
Component Function Check	64	REAR SEAT (6 : 4 SEPARATE SEAT)	99
PASSENGER SIDE : Diagnosis Procedure	64	Exploded View	99
SEATBACK HEATER	66	ARMREST	100
DRIVER SIDE	66	ARMREST : Removal and Installation	100
DRIVER SIDE : Component Function Check	66	ARMREST : Disassembly and Assembly	102
DRIVER SIDE : Diagnosis Procedure	66	SEATBACK	103
PASSENGER SIDE	66	SEATBACK : Removal and Installation	103
PASSENGER SIDE :		SEATBACK : Disassembly and Assembly	105
Component Function Check	66	SEAT CUSHION	106
PASSENGER SIDE : Diagnosis Procedure	67	SEAT CUSHION : Removal and Installation	106
SYMPTOM DIAGNOSIS	68	SEAT CUSHION : Disassembly and Assembly ...	107
HEATED SEAT DOES NOT OPERATE	68		
Diagnosis Procedure	68		

SEATBACK HINGE	107	ISO FIX BRACKET	110	
SEATBACK HINGE : Removal and Installation ...	107	ISO FIX BRACKET : Removal and Installation	110	A
SEAT LOCK	107	POWER SEAT SWITCH	111	
SEAT LOCK : Removal and Installation	107	Removal and Installation	111	B
CHILD SEAT ANCHOR	109	LUMBAR SUPPORT SWITCH	112	
Exploded View	109	Removal and Installation	112	C
TETHER ANCHOR PLATE	109	SIDE SUPPORT SWITCH	113	
TETHER ANCHOR PLATE : Removal and Instal- lation	109	Removal and Installation	113	D

SE

K

L

M

N

O

P

PRECAUTIONS

< PRECAUTION >

PRECAUTION

PRECAUTIONS

Precaution for Supplemental Restraint System (SRS) "AIR BAG" and "SEAT BELT PRE-TENSIONER"

INFOID:000000011285055

The Supplemental Restraint System such as "AIR BAG" and "SEAT BELT PRE-TENSIONER", used along with a front seat belt, helps to reduce the risk or severity of injury to the driver and front passenger for certain types of collision. This system includes seat belt switch inputs and dual stage front air bag modules. The SRS system uses the seat belt switches to determine the front air bag deployment, and may only deploy one front air bag, depending on the severity of a collision and whether the front occupants are belted or unbelted. Information necessary to service the system safely is included in the "SRS AIR BAG" and "SEAT BELT" of this Service Manual.

WARNING:

Always observe the following items for preventing accidental activation.

- To avoid rendering the SRS inoperative, which could increase the risk of personal injury or death in the event of a collision that would result in air bag inflation, all maintenance must be performed by an authorized NISSAN/INFINITI dealer.
- Improper maintenance, including incorrect removal and installation of the SRS, can lead to personal injury caused by unintentional activation of the system. For removal of Spiral Cable and Air Bag Module, see "SRS AIR BAG".
- Never use electrical test equipment on any circuit related to the SRS unless instructed to in this Service Manual. SRS wiring harnesses can be identified by yellow and/or orange harnesses or harness connectors.

PRECAUTIONS WHEN USING POWER TOOLS (AIR OR ELECTRIC) AND HAMMERS

WARNING:

Always observe the following items for preventing accidental activation.

- When working near the Air Bag Diagnosis Sensor Unit or other Air Bag System sensors with the ignition ON or engine running, never use air or electric power tools or strike near the sensor(s) with a hammer. Heavy vibration could activate the sensor(s) and deploy the air bag(s), possibly causing serious injury.
- When using air or electric power tools or hammers, always switch the ignition OFF, disconnect the battery, and wait at least 3 minutes before performing any service.

Precautions for Removing Battery Terminal

INFOID:000000011561501

- When removing the 12V battery terminal, turn OFF the ignition switch and wait at least 30 seconds.

NOTE:

ECU may be active for several tens of seconds after the ignition switch is turned OFF. If the battery terminal is removed before ECU stops, then a DTC detection error or ECU data corruption may occur.

- For vehicles with the 2-batteries, be sure to connect the main battery and the sub battery before turning ON the ignition switch.

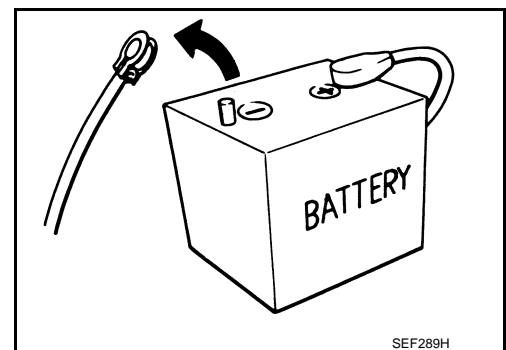
NOTE:

If the ignition switch is turned ON with any one of the terminals of main battery and sub battery disconnected, then DTC may be detected.

- After installing the 12V battery, always check "Self Diagnosis Result" of all ECUs and erase DTC.

NOTE:

The removal of 12V battery may cause a DTC detection error.



Service Notice

INFOID:000000011285056

- When removing or installing various parts, place a cloth or padding onto the vehicle body to prevent scratches.
- Handle trim, molding, instruments, grille, etc. carefully during removing or installing. Be careful not to oil or damage them.

PRECAUTIONS

< PRECAUTION >

- Apply sealing compound where necessary when installing parts.
- When applying sealing compound, be careful that the sealing compound does not protrude from parts.
- When replacing any metal parts (for example body outer panel, members, etc.), be sure to take rust prevention measures.

A

Precaution for Work

INFOID:0000000011285057

B

- When removing or disassembling each component, be careful not to damage or deform it. If a component may be subject to interference, be sure to protect it with a shop cloth.
- When removing (disengaging) components with a screwdriver or similar tool, be sure to wrap the component with a shop cloth or vinyl tape to protect it.
- Protect the removed parts with a shop cloth and keep them.
- Replace a deformed or damaged clip.
- If a part is specified as a non-reusable part, always replace it with new one.
- Be sure to tighten bolts and nuts securely to the specified torque.
- After re-installation is completed, be sure to check that each part works normally.
- Follow the steps below to clean components.
- Water soluble foul: Dip a soft cloth into lukewarm water, and wring the water out of the cloth to wipe the fouled area.
Then rub with a soft and dry cloth.
- Oily foul: Dip a soft cloth into lukewarm water with mild detergent (concentration: within 2 to 3%), and wipe the fouled area.
Then dip a cloth into fresh water, and wring the water out of the cloth to wipe the detergent off. Then rub with a soft and dry cloth.
- Never use organic solvent such as thinner, benzene, alcohol, and gasoline.
- For genuine leather seats, use a genuine leather seat cleaner.

C

D

E

F

G

H

I

SE

K

L

M

N

O

P

PREPARATION

< PREPARATION >

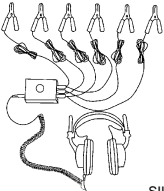
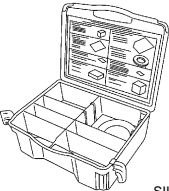
PREPARATION

PREPARATION

Special Service Tool

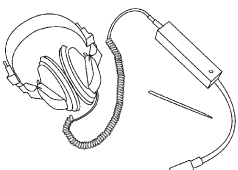
INFOID:000000011285058

The actual shapes of Kent-Moore tools may differ from those of special service tools illustrated here.

Tool number (Kent-Moore No.) Tool name	Description
<p>(J-39570) Chassis ear</p>  <p style="text-align: right;">SIIA0993E</p>	<p>Locates the noise</p>
<p>(J-50397) NISSAN Squeak and Rattle Kit</p>  <p style="text-align: right;">SIIA0994E</p>	<p>Repairs the cause of noise</p>

Commercial Service Tool

INFOID:000000011285059

Tool name	Description
<p>Engine ear</p>  <p style="text-align: right;">SIIA0995E</p>	<p>Locates the noise</p>

CLIP LIST

< PREPARATION >

CLIP LIST

Clip List

INFOID:000000011285060

Shapes	Removal & Installation	Shapes	Removal & Installation
	<p>Removal: Remove by bending up with flat-bladed screwdrivers or clip remover.</p>	<p>Clip A Clip B</p>	<p>Removal: Finisher Clip A Flat-bladed screwdriver Clip B</p>
	<p>Removal: Remove with a clip remover.</p>	<p>Clip A Clip B (Grommet)</p>	<p>Removal: Flat-bladed screwdriver Finisher Body panel Clip A Clip B (Grommet)</p>
	<p>Removal: Push center pin to catching position. (Do not remove center pin by hitting it.)</p> <p>Installation: Push</p>		<p>Removal: Holder portion of clip must be spread out to remove rod.</p>
	<p>Removal: Remove by bending up with flat-bladed screwdrivers or clip remover.</p> <p>Clip Finisher</p>		<p>Removal: 1. Screw out with a Phillips screwdriver. 2. Remove female portion with flat-bladed screwdriver.</p>
	<p>Removal:</p>		<p>Removal: Rotate 45° to remove.</p> <p>Installation:</p>
	<p>Removal:</p>		<p>Removal:</p>

JMJIA3734GB

A
B
C
D
E
F
G
H
I
SE
K
L
M
N
O
P

COMPONENT PARTS

< SYSTEM DESCRIPTION >

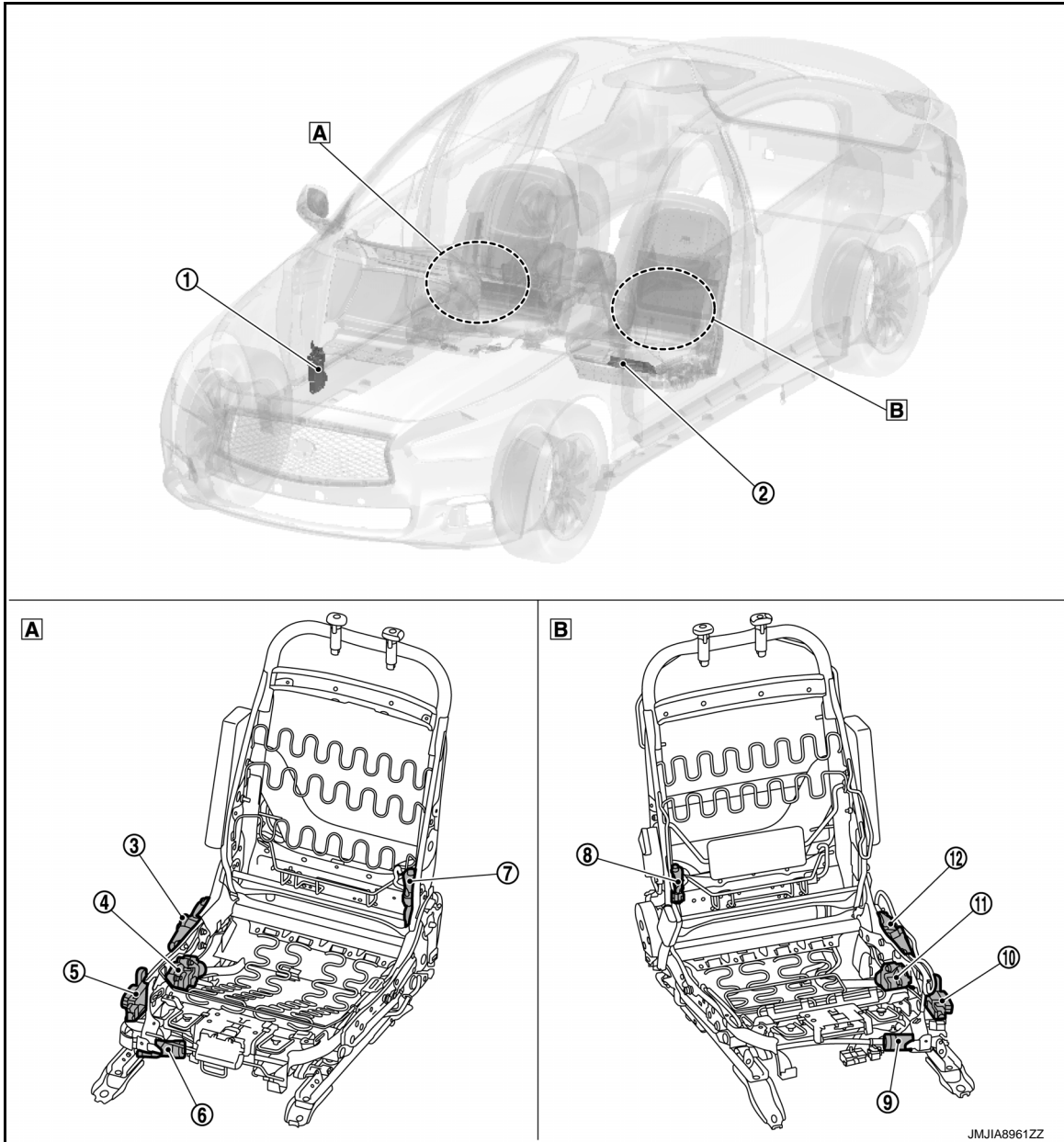
SYSTEM DESCRIPTION

COMPONENT PARTS

POWER SEAT SYSTEM

POWER SEAT SYSTEM : Component Parts Location

INFOID:000000011285061



A Passenger side

B Driver side

No.	Component	Function
①	BCM	Supplies at all times the power received from battery to power seat switch.
②	Driver seat control unit	Operate the specific seat motor with the signal from power seat switch.
③	Lifting motor (rear) (passenger side)	<ul style="list-style-type: none"> Lifting motor (rear) is installed to seat frame assembly. Lifting motor (rear) is moved upward/downward by changing the rotation direction of lifting motor (rear).

COMPONENT PARTS

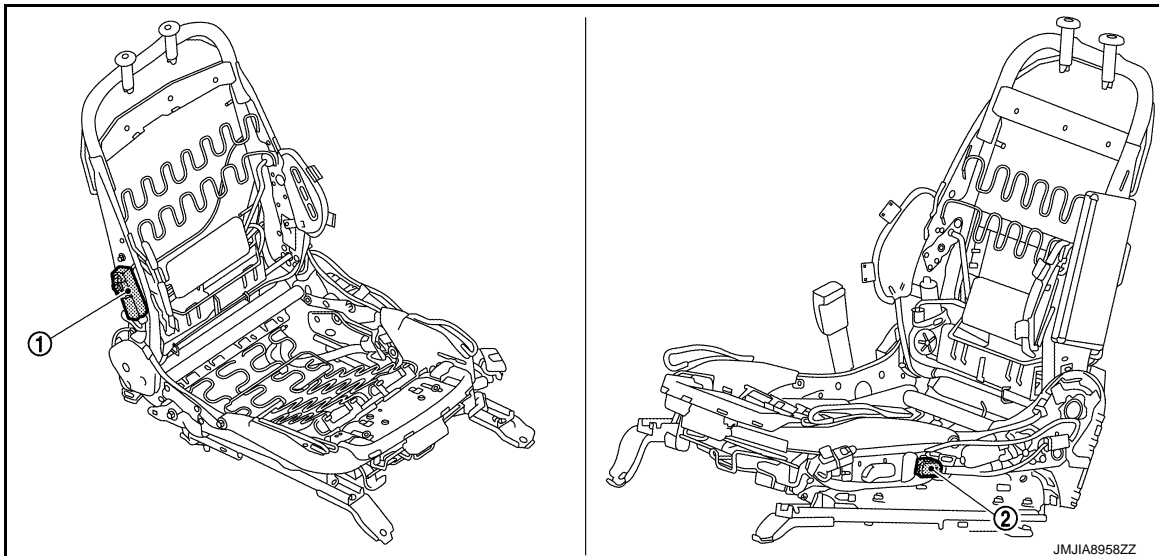
< SYSTEM DESCRIPTION >

No.	Component	Function
④	Lifting motor (front) (passenger side)	<ul style="list-style-type: none"> Lifting motor (front) is installed to seat frame assembly. Lifting motor (front) is moved upward/downward by changing the rotation direction of lifting motor (front).
⑤	Power seat switch (passenger side)	Refer to SE-12, "Power Seat Switch" .
⑥	Sliding motor (passenger side)	<ul style="list-style-type: none"> Sliding motor is installed to the seat frame assembly. Slides the seat forward/backward by changing the rotation direction of sliding motor.
⑦	Reclining motor (passenger side)	<ul style="list-style-type: none"> Reclining motor is installed to seat frame assembly. Seatback is reclined forward/backward by changing the rotation direction of reclining motor.
⑧	Reclining motor (driver side)	<ul style="list-style-type: none"> Reclining motor is installed to seat frame assembly. Reclining motor is activated with driver seat control unit. Seatback is reclined forward/backward by changing the rotation direction of reclining motor.
⑨	Sliding motor (driver side)	<ul style="list-style-type: none"> Sliding motor is installed to the seat frame assembly. Sliding motor is activated with driver seat control unit. Slides the seat forward/backward by changing the rotation direction of sliding motor.
⑩	Power seat switch (driver side)	Refer to SE-12, "Power Seat Switch" .
⑪	Lifting motor (front) (driver side)	<ul style="list-style-type: none"> Lifting motor (front) is installed to seat frame assembly. Lifting motor (front) is activated with driver seat control unit. Lifting motor (front) is moved upward/downward by changing the rotation direction of lifting motor (front).
⑫	Lifting motor (rear) (driver side)	<ul style="list-style-type: none"> Lifting motor (rear) is installed to seat frame assembly. Lifting motor (rear) is activated with driver seat control unit. Lifting motor (rear) is moved upward/downward by changing the rotation direction of lifting motor (rear).

LUMBAR SUPPORT SYSTEM

LUMBAR SUPPORT SYSTEM : Component Parts Location

INFOID:000000011285062



No.	Component	Function
①	Lumbar support motor	With the power supplied to lumbar support switch, operates the forward and backward movement of seatback support.
②	Lumbar support switch	Refer to SE-13, "Lumbar Support Switch" .

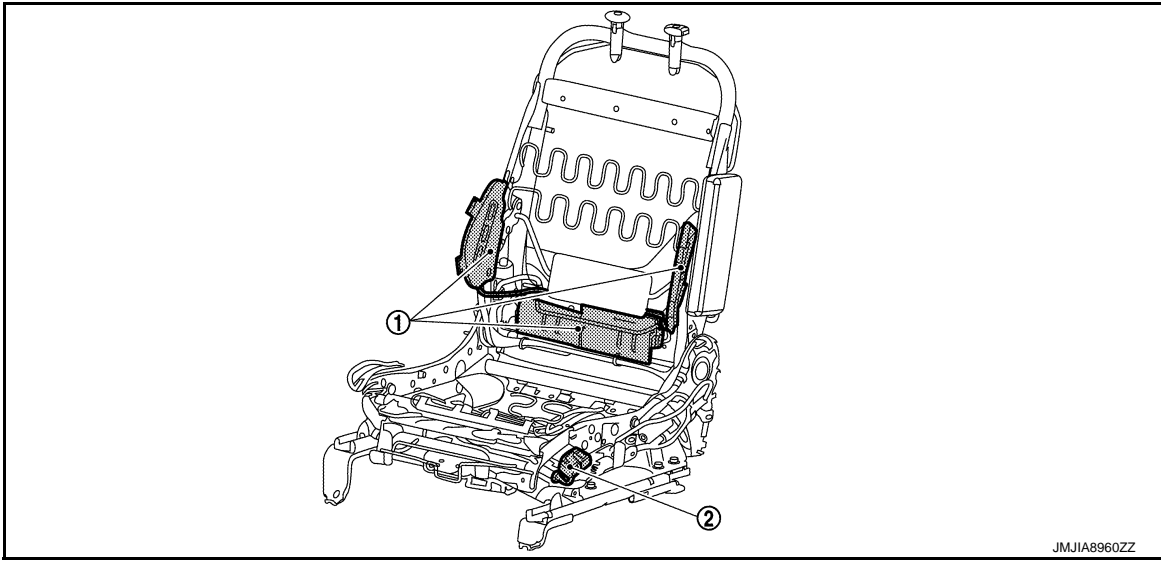
SIDE SUPPORT SYSTEM

COMPONENT PARTS

< SYSTEM DESCRIPTION >

SIDE SUPPORT SYSTEM : Component Parts Location

INFOID:000000011285063



No.	Component	Function
①	Side support assembly	Built-in side support pump, side support valve and side support, and operates when pressing ON/OFF on side support switch.
②	Side support switch	Refer to SE-13. "Side Support Switch" .

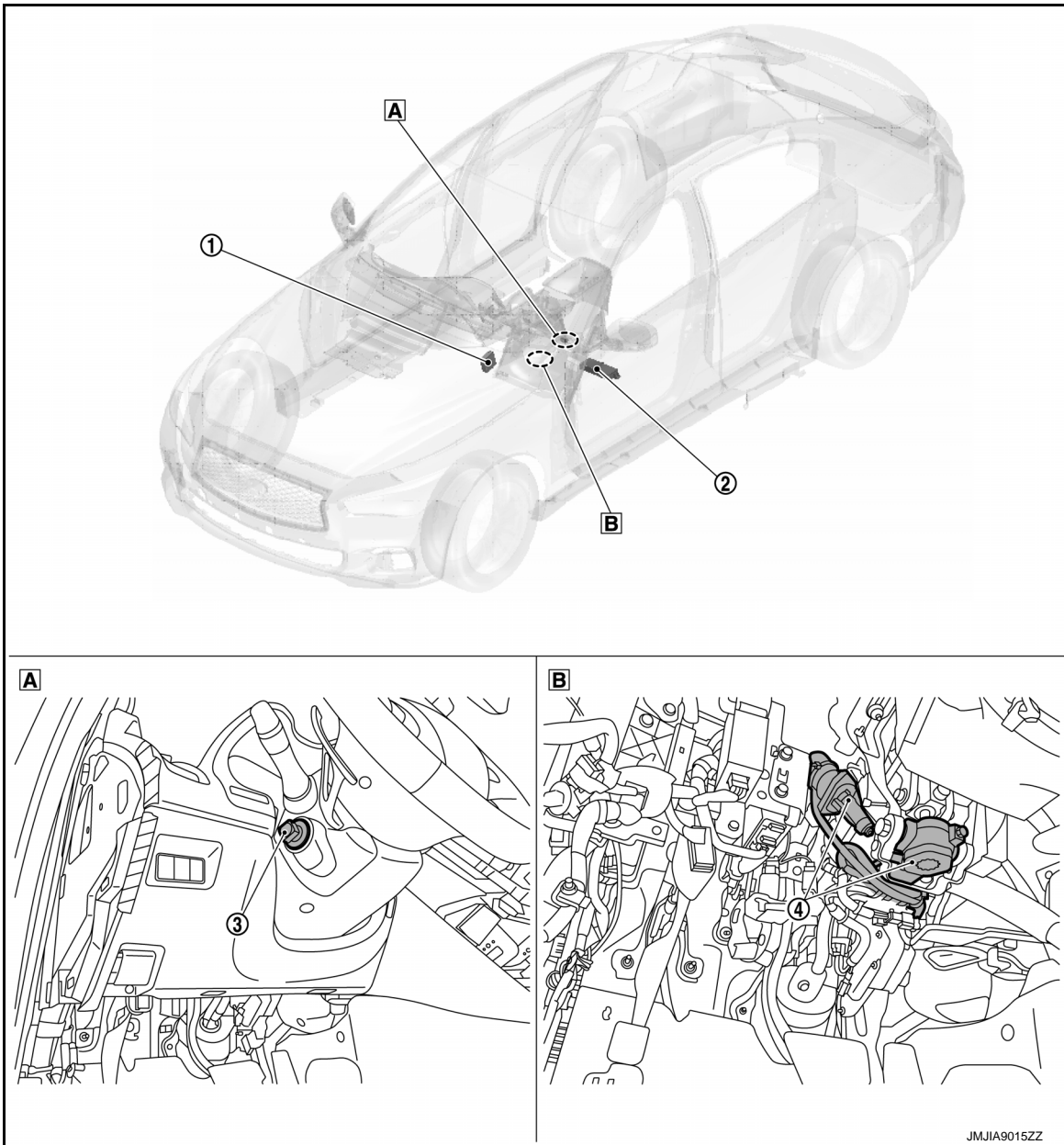
TILT & TELESCOPIC SYSTEM

COMPONENT PARTS

< SYSTEM DESCRIPTION >

TILT & TELESCOPIC SYSTEM : Component Parts Location

INFOID:000000011285064



A View with steering column cover lower

B View with steering column cover lower and instrument lower cover LH removed

No.	Component	Function
①	Automatic drive positioner control unit	<ul style="list-style-type: none"> It communicates with driver seat control unit via UART communication. Perform the controls of tilt & telescopic motor.
②	Driver seat control unit	<ul style="list-style-type: none"> It communicates with automatic drive positioner control unit via UART communication. Requests the operation of tilt & telescopic motor to automatic drive positioner control unit.
③	Tilt & telescopic switch	Tilt & telescopic switch, as a unit, transmits switch operation signal to automatic drive positioner control unit.
④	Tilt & telescopic motor	Operates by power supply from automatic drive positioner control unit.

HEATED SEAT SYSTEM

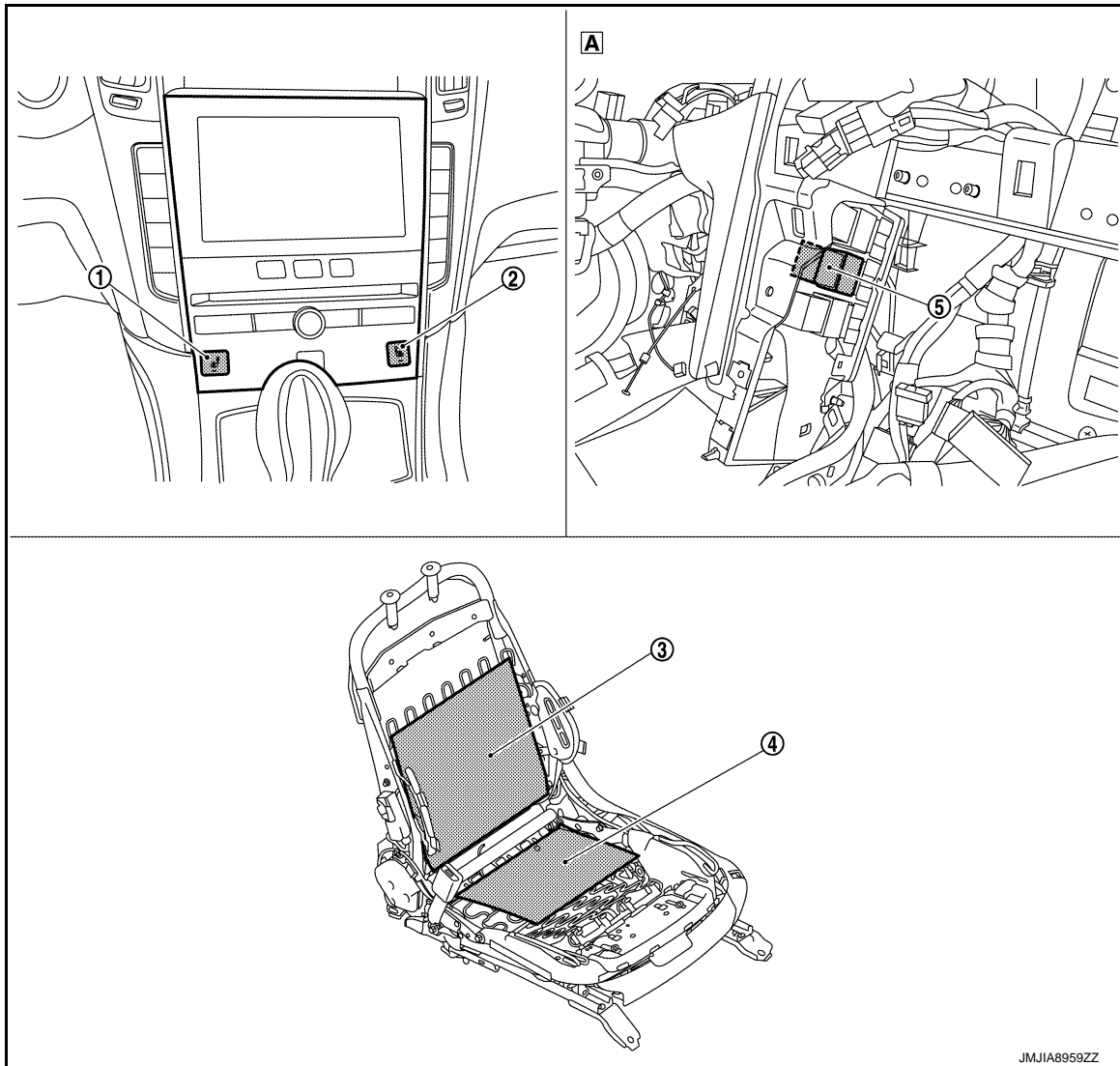
A
B
C
D
E
F
G
H
I
SE
K
L
M
N
O
P

COMPONENT PARTS

< SYSTEM DESCRIPTION >

HEATED SEAT SYSTEM : Component Parts Location

INFOID:000000011285065



A View with AV control unit or NAVI control unit removed

No.	Component	Function
①	Integral switch (heated seat switch LH)	Adjusts heated seat temperature and activates heated seat system. Refer to AV-14, "Component Parts Location" for detailed installation location.
②	Integral switch (heated seat switch RH)	
③	Seatback heater	<ul style="list-style-type: none"> • Warms seatback. • Contains heat sensor that outputs seatback heater temperature to A/C auto amp.
④	Seat cushion heater	<ul style="list-style-type: none"> • Warms seat cushion. • Contains heat sensor that outputs seat cushion heater temperature to A/C auto amp. • Built-in heat sensor.
⑤	Heated seat relay	Supplies power to the heated seat being controlled by ignition power supply.

Power Seat Switch

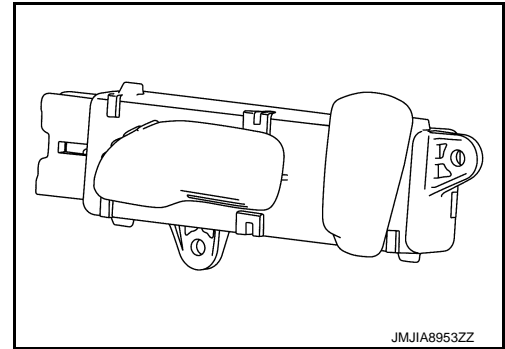
INFOID:000000011285066

- Built-in reclining switch, sliding switch and lifting switch, controls the power supplied to each motor.

COMPONENT PARTS

< SYSTEM DESCRIPTION >

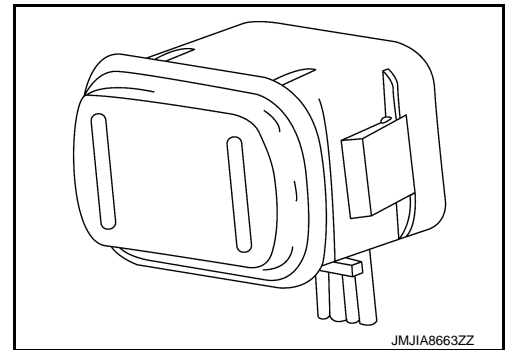
- Installed on seat cushion outer finisher.



INFOID:000000011285067

Lumbar Support Switch

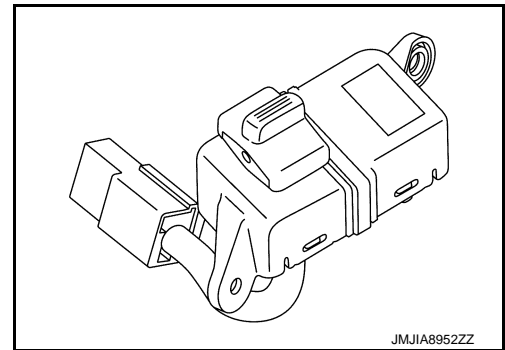
- Controls the power supplied to lumbar support motor.
- Installed on seat cushion outer finisher (driver side).



INFOID:000000011285068

Side Support Switch

- Controls the power supplied to side support assembly.
- Installed on seat cushion outer finisher (driver side).



A
B
C
D
E
F
G
H
I
SE
K
L
M
N
O
P

SYSTEM

< SYSTEM DESCRIPTION >

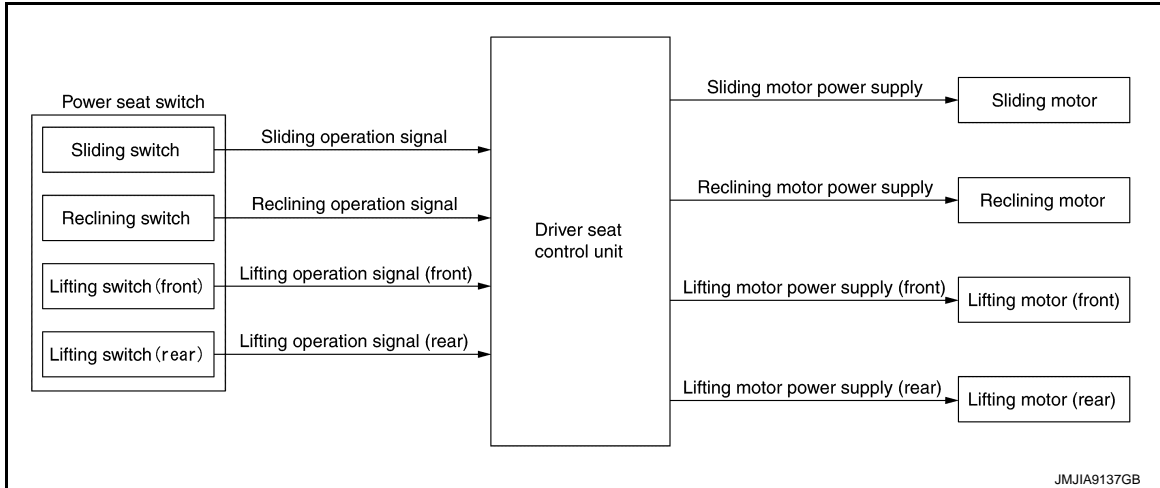
SYSTEM

POWER SEAT SYSTEM

POWER SEAT SYSTEM : System Description

INFOID:000000011285069

SYSTEM DIAGRAM



DESCRIPTION

Power seat can be operated regardless of the ignition switch position, because power supply is always supplied to power seat switch.

Sliding Operation

While operating the sliding switch located in power seat switch, sliding motor operates and makes possible the seat front and back position adjustment.

Reclining Operation

While operating the reclining switch located in power seat switch, reclining motor operates and makes possible the seat back forward and backward position adjustment.

Lifting Operation

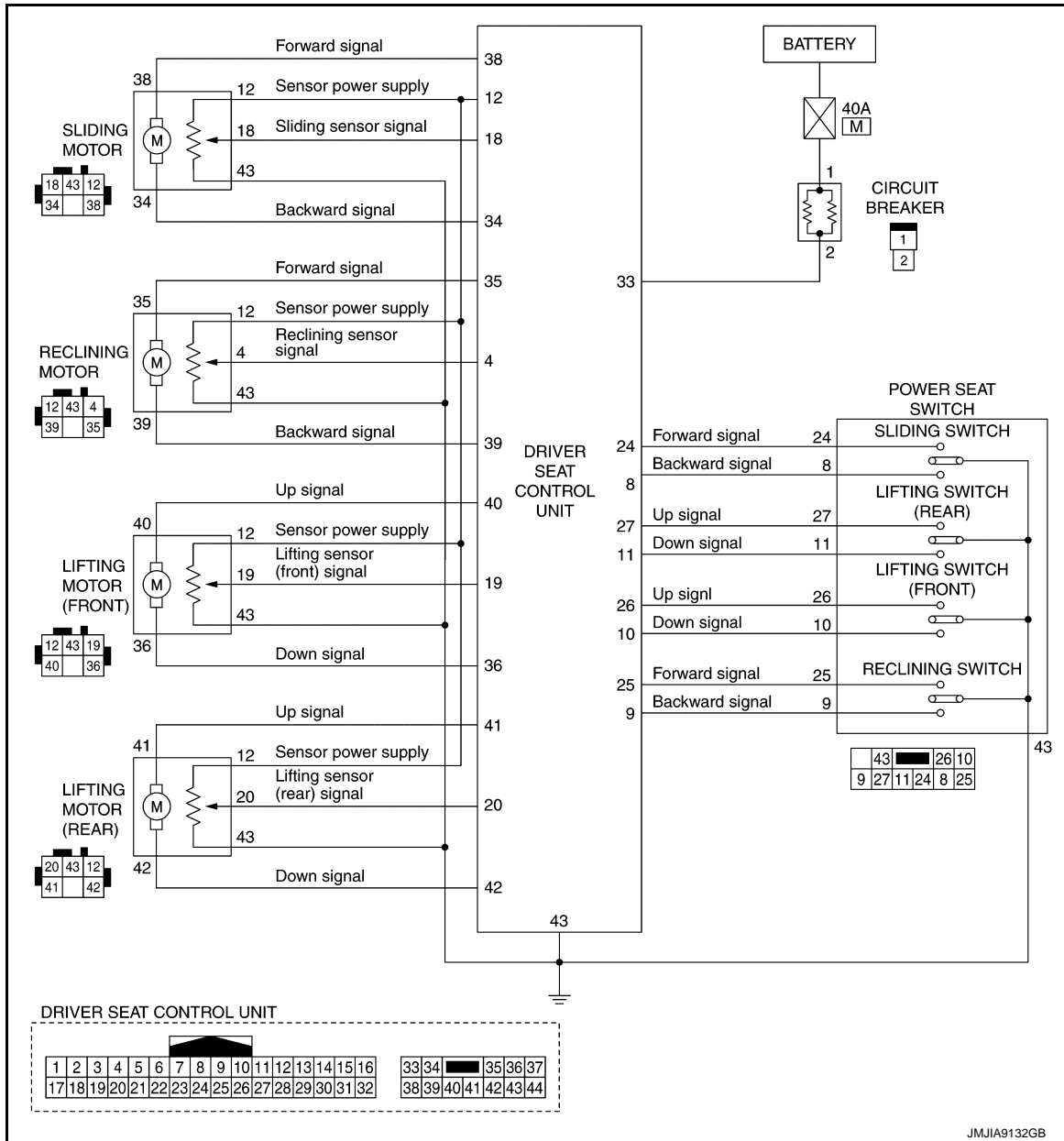
While operating the lifting switch located in power seat switch, lifting motor operates and makes possible the seat cushion up and down position adjustment.

SYSTEM

< SYSTEM DESCRIPTION >

POWER SEAT SYSTEM : Circuit Diagram

INFOID:000000011285070



LUMBAR SUPPORT SYSTEM

LUMBAR SUPPORT SYSTEM : System Description

INFOID:000000011285071

DESCRIPTION

- Lumbar support can operate regardless of the ignition switch position because, power supply is always supplied to lumbar support switch.
- While operating the lumbar support switch, lumbar support motor operates which allows forward and backward operation of seatback support.

SIDE SUPPORT SYSTEM

SIDE SUPPORT SYSTEM : System Description

INFOID:000000011285072

DESCRIPTION

- The pump located inside side support assembly operates when side support switch is operated, and adjusts the air pressure in seatback side support.

SYSTEM

< SYSTEM DESCRIPTION >

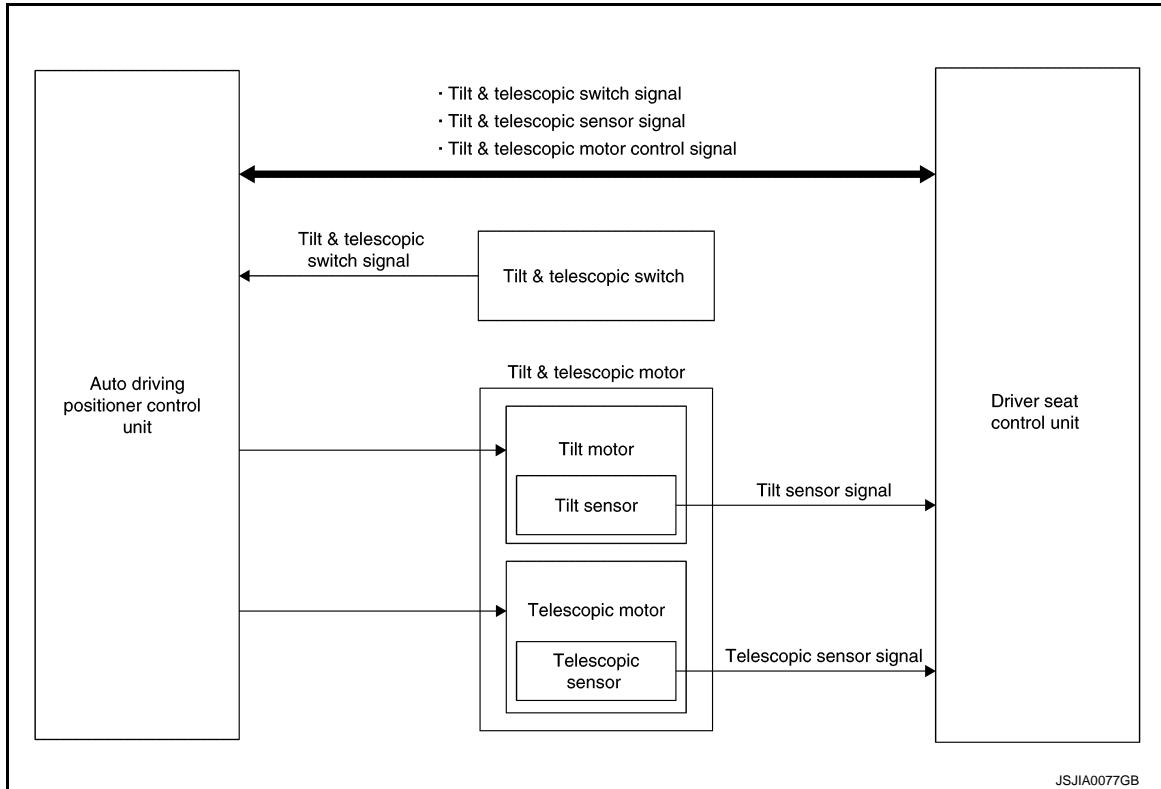
- It is possible to soften the side support, by allowing some air to escape, by deflating the solenoid located inside side support.
- It is possible to adjust seatback differently while inflating or deflating solenoid located in side support assembly.

TILT & TELESCOPIC SYSTEM

TILT & TELESCOPIC SYSTEM : System Description

INFOID:000000011285073

SYSTEM DIAGRAM



DESCRIPTION

Automatic driver positioner control unit is always supplied power supply from battery, and tilt and telescopic system is operative regardless of the ignition switch position.

Tilt Operation

- Tilt motor operates when tilt & telescopic switch is operated, and allows up or down position adjustment of steering wheel.
- Tilt sensor detects the position of steering wheel during tilt motor operation, and automatically cuts the power when the operation limit is reached.

Telescopic Operation

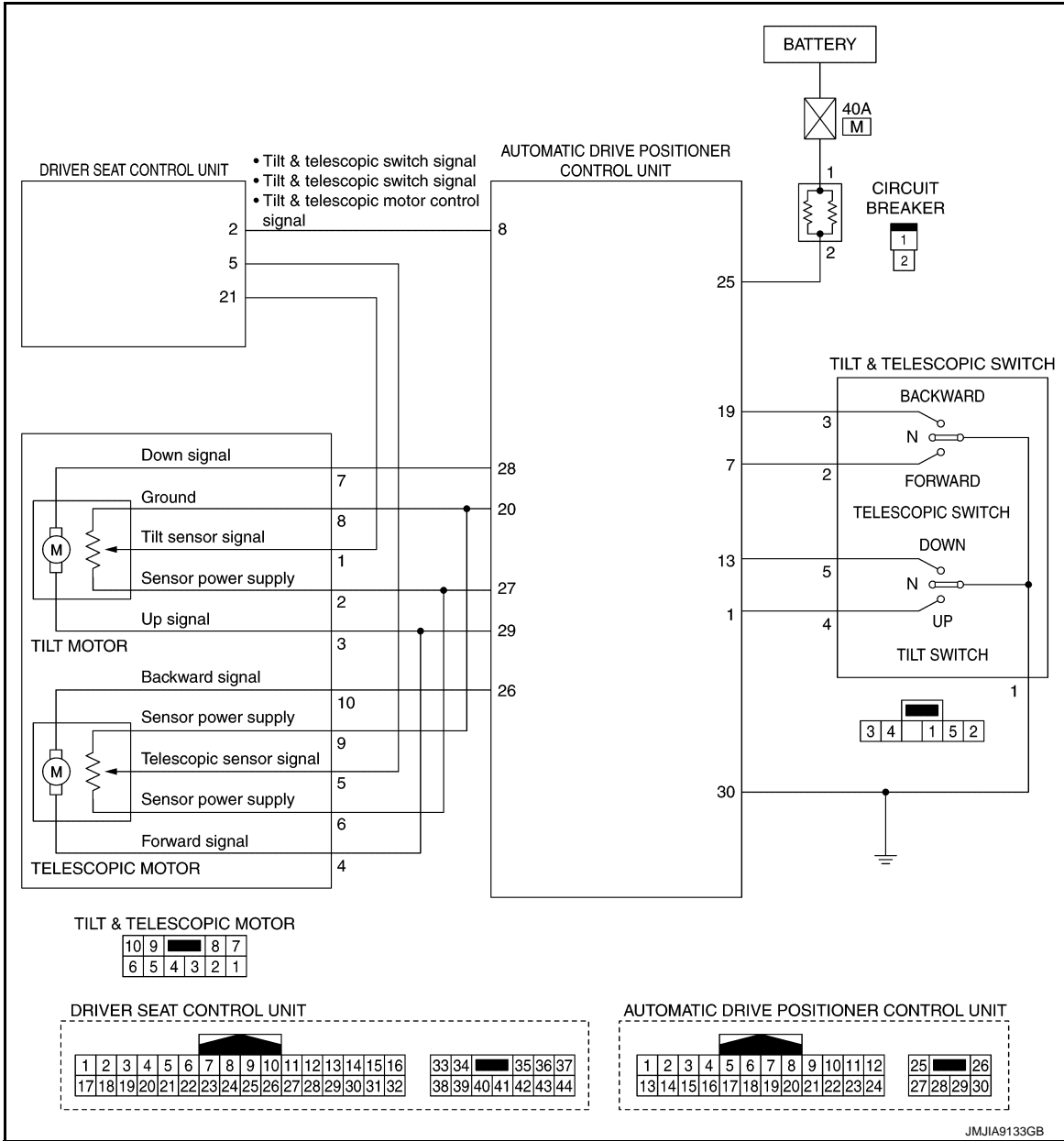
- Telescopic motor operates when tilt & telescopic switch is operated, and allows forward and backward position regulation of steering wheel.
- Telescopic sensor detects the position of steering wheel during telescopic motor operation, and automatically cuts the power when the operation limit is reached.

SYSTEM

< SYSTEM DESCRIPTION >

TILT & TELESCOPIC SYSTEM : Circuit Diagram

INFOID:000000011285074



A
B
C
D
E
F
G
H
I
K
L
M
N
O
P

SE

HEATED SEAT SYSTEM

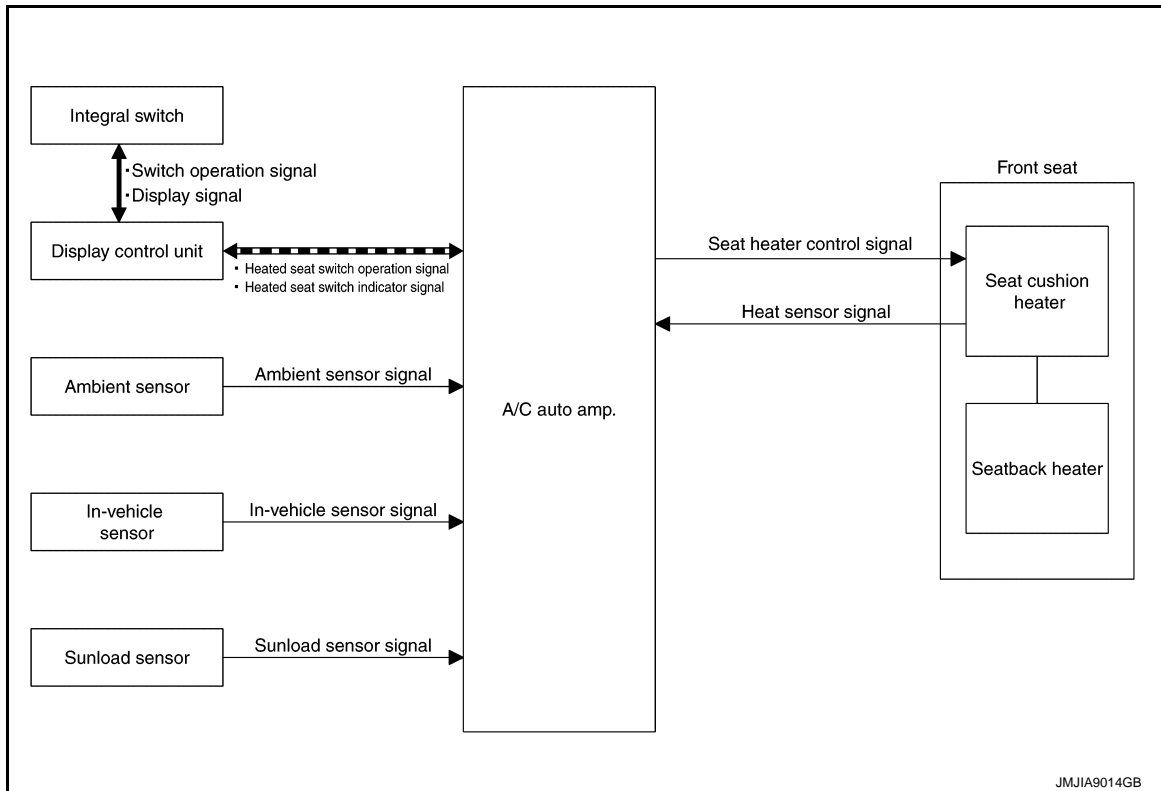
SYSTEM

< SYSTEM DESCRIPTION >

HEATED SEAT SYSTEM : System Description

INFOID:000000011285075

SYSTEM DIAGRAM



DESCRIPTION

- Heated seat system is activated by heated seat switch while ignition switch is ON, and has the function to warm seat cushion and seatback.
- There are two methods for operating the heated seat system: operation with the heated seat switch of the integral switch, and operation with the icon located in the display.
- The heated seat system operates in two modes: AUTO and Manual, which operates for the driver seat and passenger seat independently.
- The temperature of heated seat system can be set in three levels: Lo, Mid, or Hi.
- The status of heated seat system for driver seat and passenger seat can be checked using the integral switch display. Also, touching the operation status indicator in the display can change the temperature setting.

OPERATION DESCRIPTION

- When the heated seat switch of integral switch is operated, the display control unit receives a switch operation signal from integral switch.
- The display control unit transmits a heated seat switch operation signal to A/C auto amp. via CAN communication.
- When A/C auto amp. receives a heated seat switch operation signal, it operates the heated seat system.
- A/C auto amp operates the heated seat system and simultaneously sends the heated seat switch indicator signal to the display control unit via CAN communication.
- When the display control unit receives a heated seat switch indicator signal, it illuminates the indicator lamp on the heated seat switch of integral switch.

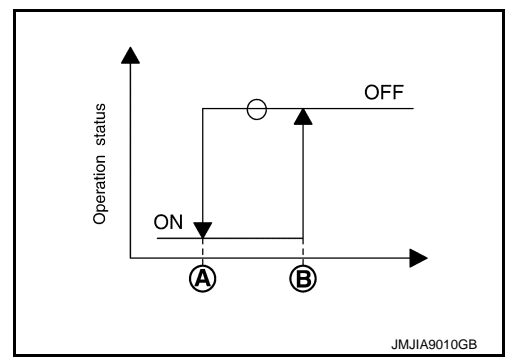
Manual Control

- The seatback heater and seat cushion heater are integrated with the heat sensors that detect the seat temperature. The heat sensors transmit the seat temperature as the heated seat signal to A/C auto amp.

SYSTEM

< SYSTEM DESCRIPTION >

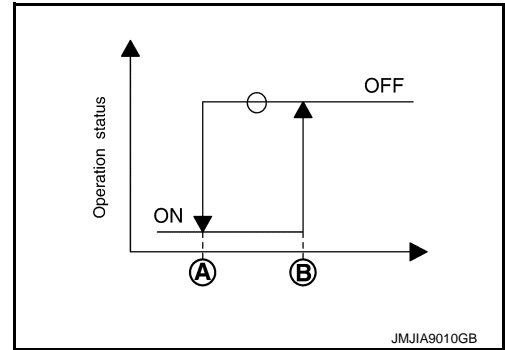
- The A/C auto amp. recognizes the seat temperature from heat sensor signal. It adjusts the seat temperature by stopping operation when the seat temperature reaches the operation stop temperature (A), and starting operation when the seat temperature reaches the operation start temperature (B).



Preset temperature	Temperature °C (°F)	
	Temperature at operation stop	Temperature at operation start
Lo	26.67 (80.0)	25.67 (78.2)
Mid	37.67 (99.8)	36.67 (98.0)
Hi	45 (113)	44 (111.2)

AUTO Control

- The seatback heater and seat cushion heater are integrated with the heat sensors that detect the seat temperature. The heat sensors transmit the seat temperature as the heated seat signal to A/C auto amp.
- The A/C auto amp. recognizes the seat temperature from heat sensor signal. It adjusts the seat temperature by stopping operation when the seat temperature reaches the operation stop temperature (A), and starting operation when the seat temperature reaches the operation start temperature (B).



- The A/C auto amp. adjusts the seat temperature automatically based on the temperature felt by the customer, which is calculated from the in-vehicle temperature, ambient temperature, sunload, and seat temperature setting.

Preset temperature	Temperature °C (°F)		
	Heat sensor detection temperature	Temperature at operation stop	Temperature at operation start
AUTO	0 (0)	1 (33.8)	0 (0)
	36.67 (98.0)	1 (33.8)	0 (0)
	37 (98.6)	22 (71.6)	21.67 (71.0)
	38 (100.4)	26.67 (80.0)	26.34 (79.4)
	43 (109.4)	50 (122)	49.67 (121.4)

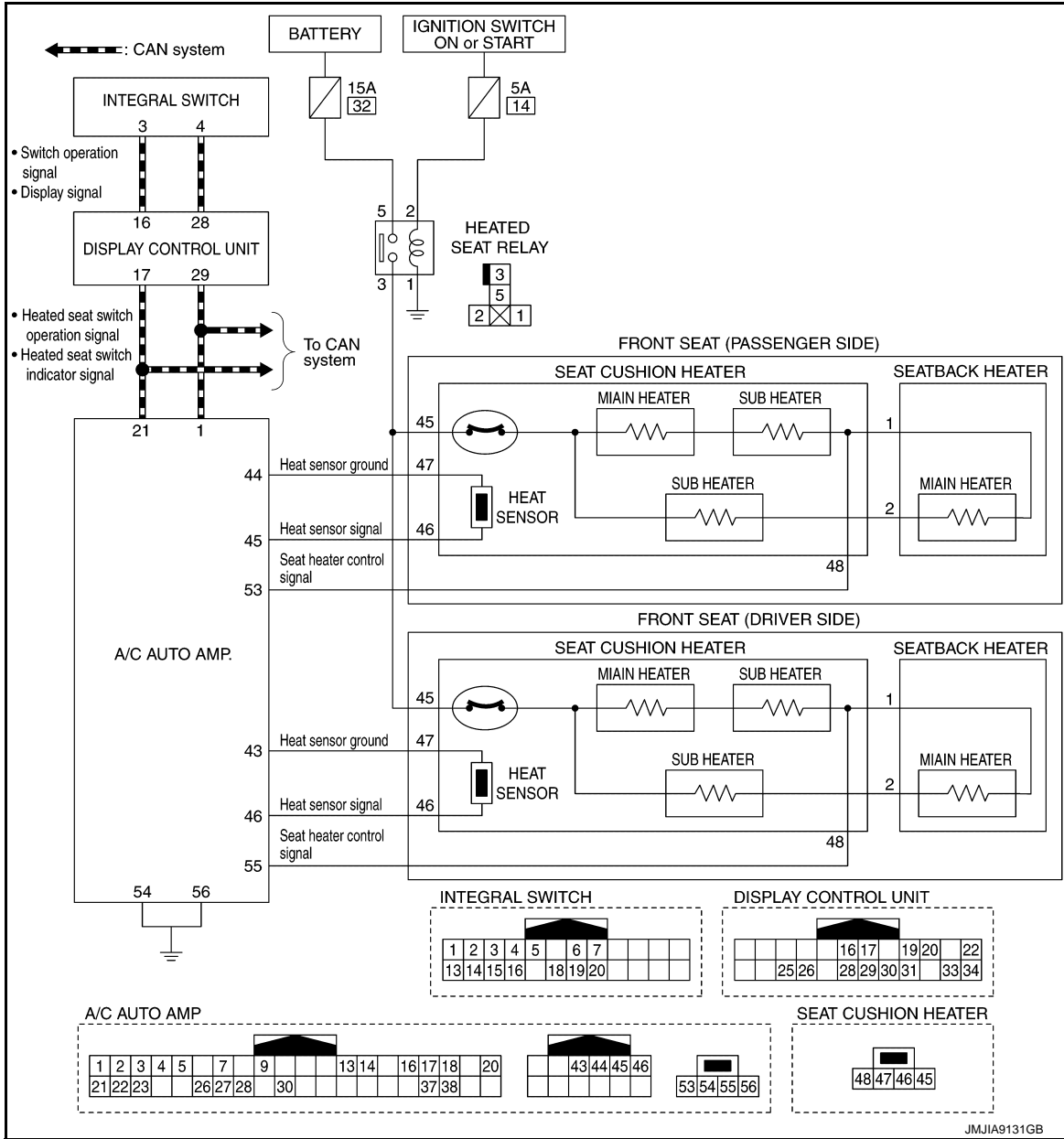
- Temperature setting during AUTO control can be performed by operating the integral switch display.

SYSTEM

< SYSTEM DESCRIPTION >

HEATED SEAT SYSTEM : Circuit Diagram

INFOID:000000011285076



DRIVER SEAT CONTROL UNIT, AUTOMATIC DRIVE POSITIONER CONTROL UNIT, A/C AUTO AMP.

< ECU DIAGNOSIS INFORMATION >

ECU DIAGNOSIS INFORMATION

DRIVER SEAT CONTROL UNIT, AUTOMATIC DRIVE POSITIONER CONTROL UNIT, A/C AUTO AMP.

List of ECU Reference

INFOID:0000000011285077

ECU		Reference
Driver seat control unit	Reference Value	ADP-34, "Reference Value"
	Fail-safe	ADP-40, "Fail-Safe"
	DTC Index	ADP-40, "DTC Index"
Automatic drive positioner control unit	Reference Value	ADP-42, "Reference Value"
A/C auto amp.	Reference Value	HAC-33, "Reference Value"
	Fail-safe	HAC-36, "Fail-safe"
	DTC Index	HAC-37, "DTC Index"

A
B
C
D
E
F
G
H
I
K
L
M
N
O
P

SE

POWER SEAT CONTROL SYSTEM

< WIRING DIAGRAM >

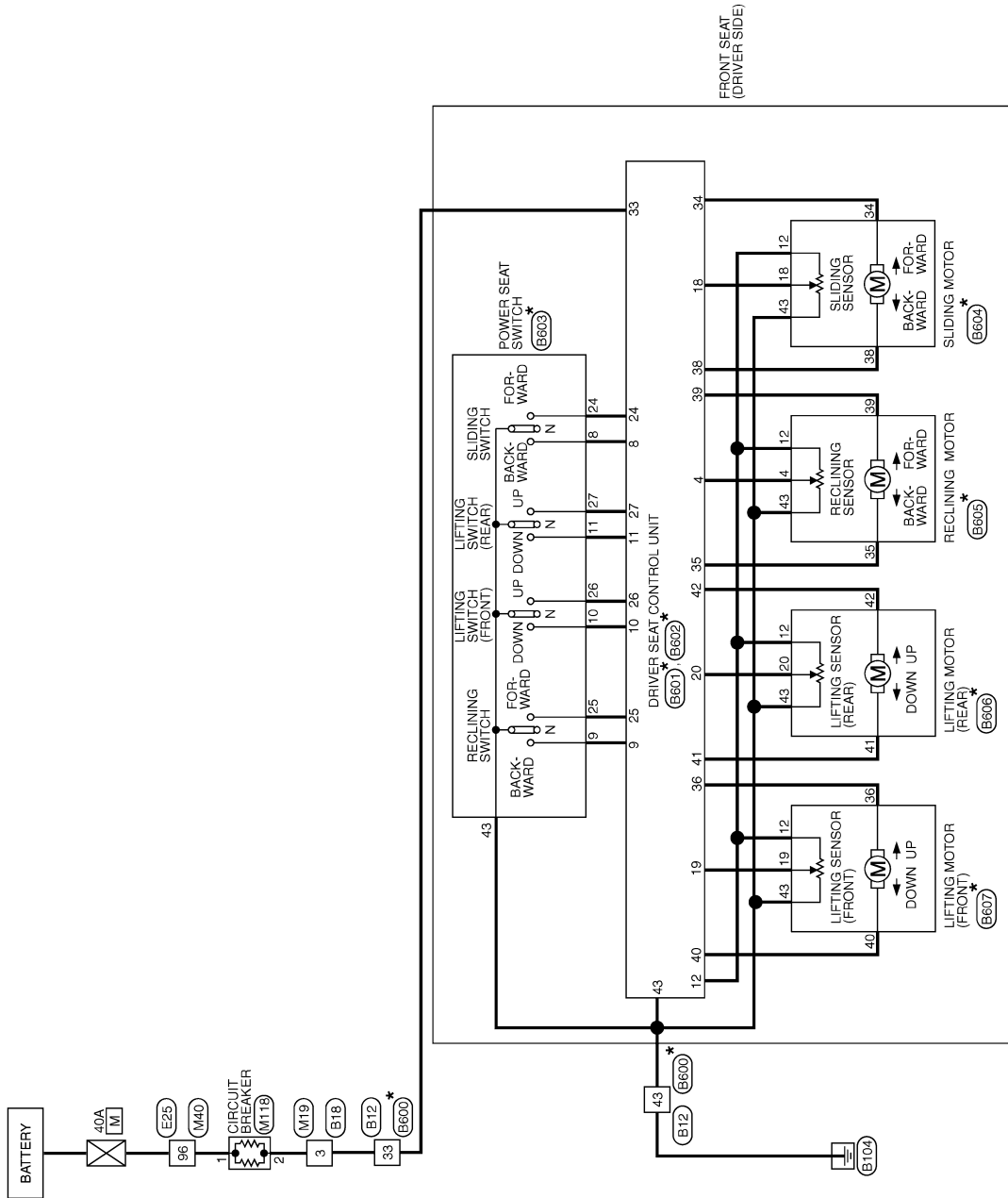
WIRING DIAGRAM

POWER SEAT CONTROL SYSTEM

Wiring Diagram (Driver Side Without Automatic Drive Positioner)

INFOID:000000011285078

POWER SEAT FOR DRIVER SIDE WITHOUT AUTOMATIC DRIVE POSITIONER



*: This connector is not shown in "Harness Layout".

2013/05/17

JRWJC1377GB

POWER SEAT CONTROL SYSTEM

< WIRING DIAGRAM >

POWER SEAT FOR DRIVER SIDE WITHOUT AUTOMATIC DRIVE POSITIONER

Connector No.	B12
Connector Name	WIRE TO WIRE
Connector Type	NS16FW-GS



28	21	5	2	43	1	17		
23	7	83	22	45	6	47	48	46

Terminal No.	Color Of Wire	Signal Name [Specification]
1	L	-
2	LG	-
3	P	-
4	V	-
5	P	-
6	P	-
7	R	-
17	R	- [Without Gateway]
21	EG	- [With Gateway]
22	BR	-
23	EG	-
28	R	-
33	L	-
43	B	-
45	G	-
46	EG	-
47	R	-
48	GR	-

Connector No.	B18
Connector Name	WIRE TO WIRE
Connector Type	TH80FW-GS16-TM4



Terminal No.	Color Of Wire	Signal Name [Specification]
1	Y	-
2	G	-
3	L	-
4	LG	-
6	R	-
7	V	-
8	LG	-
9	BR	-
10	P	-
11	BG	-
12	LG	-
13	GR	-
24	Y	-
25	W	-
31	B	-
32	B	-
33	B	-
34	LG	-
35	P	-
36	W	-
37	SB	-
38	LG	-
40	P	-
41	SB	-
42	BR	-
43	BG	-
44	BG	-
46	R	-
51	SB	-
52	V	-
54	R	-
55	R	-
57	W	-
58	V	-
59	GR	-
62	BG	-
63	BR	-
64	Y	-
65	W	-
70	R	-
71	W	-
72	B	-
74	L	-
75	R	-
76	BR	-
77	B	-
81	B	-

83	BG	-
84	L	-
85	R	-
86	B	-
88	G	-
91	GR	-
94	GR	-
96	Y	-
97	V	-
98	BR	-

Connector No.	B600
Connector Name	WIRE TO WIRE
Connector Type	NS16MW-GS



17	1	43					
46	48	47	6	45	23	37	23

Terminal No.	Color Of Wire	Signal Name [Specification]
1	-	-
2	-	-
5	-	-
6	-	-
7	-	-
17	-	-
21	-	-
22	-	-
23	-	-
28	-	-
33	-	-
43	-	-
45	-	-
46	-	-
47	-	-
48	-	-

Connector No.	B601
Connector Name	DRIVER SEAT CONTROL UNIT
Connector Type	TH32FM-NH



1	2	3	4	5	6	7	8	9	10	11	12
17	18	19	20	21	22	23	24	25	26	27	28

Terminal No.	Color Of Wire	Signal Name [Specification]
1	L	CANH
2	BR	LMRT (TXRX)
3	R	START SW
4	P	PULSE (RECLINER)
5	V	PULSE (TELESCOPIC)
6	GY	ADDRESS 2
7	G	IND 2
8	V	SLIDE SW (BACKWARD)
9	W	RECLINER SW (BACKWARD)
10	O	TILT SW (DOWNWARD)
11	G	LIFTER SW (DOWNWARD)
12	SB	POWER SUPPLY (ENCODER)
17	P	CANH
18	LG	PULSE (SLIDE SENSOR)
19	W	PULSE (LIFTER FRONT)
20	GY	PULSE (LIFTER REAR)
21	SB	PULSE (TILT SENSOR)
22	O	ADDRESS 1
23	W	IND 1
24	P	SLIDE SW (FORWARD)
25	Y	RECLINER SW (FORWARD)
26	GY	TILT SW (UPWARD)
27	L	LIFTER SW (UPWARD)
28	Y	SET SW

A
B
C
D
E
F
G
H
I
SE
K
L
M
N
O
P

POWER SEAT CONTROL SYSTEM

< WIRING DIAGRAM >

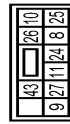
POWER SEAT FOR DRIVER SIDE WITHOUT AUTOMATIC DRIVE POSITIONER

Connector No.	B802
Connector Name	DRIVER SEAT CONTROL UNIT
Connector Type	NS12FV-CS



Terminal No.	Color Of Wire	Signal Name [Specification]
33	R	BAT. (PTC)
34	V	SLIDE MOTOR (BACKWARD)
35	Y	RECLINER MOTOR (FORWARD)
36	O	TILT MOTOR (DOWNWARD)
38	P	SLIDE MOTOR (FORWARD)
39	W	RECLINER MOTOR (BACKWARD)
40	GY	TILT MOTOR (UPWARD)
41	L	REAR LIFTER MOTOR (UPWARD)
42	G	REAR LIFTER MOTOR (DOWNWARD)
43	B	GND

Connector No.	B803
Connector Name	POWER SEAT SWITCH
Connector Type	NS10FV-CS



Terminal No.	Color Of Wire	Signal Name [Specification]
8	V	SLIDE SW (BACKWARD)
9	W	RECLINER SW (BACKWARD)
10	O	TILT SW (DOWNWARD)
11	G/B	LIFTER SW (DOWNWARD)
24	P	SLIDE SW (FORWARD)
25	Y	RECLINER SW (FORWARD)
26	GY	TILT SW (UPWARD)
27	L	LIFTER SW (UPWARD)
43	B	GND

Connector No.	B804
Connector Name	SLIDING MOTOR
Connector Type	YAZAKI 7123-1460



Terminal No.	Color Of Wire	Signal Name [Specification]
12	SB	-
18	LG	-
34	V	-
38	P	-
43	B	-

Connector No.	B805
Connector Name	RECLINING MOTOR
Connector Type	YAZAKI 7123-1460



Terminal No.	Color Of Wire	Signal Name [Specification]
4	P	-
12	SB	-
35	Y	-
39	W	-
43	B	-

Connector No.	B806
Connector Name	LIFTING MOTOR (REAR)
Connector Type	YAZAKI 7123-1460



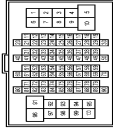
Terminal No.	Color Of Wire	Signal Name [Specification]
12	SB	-
19	-	-
20	GY	-
41	L	-
42	G	-
43	B	-

Connector No.	B807
Connector Name	LIFTING MOTOR (FRONT)
Connector Type	YAZAKI 7123-1460



Terminal No.	Color Of Wire	Signal Name [Specification]
12	SB	-
19	W	-
20	-	-
36	O	-
40	GY	-
43	B	-

Connector No.	E25
Connector Name	WIPE TO WIRE
Connector Type	TH80FM-CS (6-TM4)



Terminal No.	Color Of Wire	Signal Name [Specification]
2	W	-
3	LG	-
4	BR	-
6	V	-
7	L	-
10	BR	-
11	L	-
12	GR	-
13	W	-
14	B	-
15	SB	-
16	Y	-
17	BR	-
18	P	-
31	Y	-
32	GR	-
35	GR	-
36	R	-
37	V	-
38	L	-
39	Y	-
40	SB	-
41	LG	-
44	Y	-
45	W	-
46	B	-
47	G	-
48	SHIELD	-
49	R	-
50	BR	-
51	L	-
52	W	-
53	V	-
54	P	-
55	W	-
56	SB	-

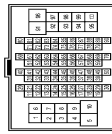
POWER SEAT CONTROL SYSTEM

< WIRING DIAGRAM >

POWER SEAT FOR DRIVER SIDE WITHOUT AUTOMATIC DRIVE POSITIONER

57	EG	-	7	W	-
58	B	-	8	V	-
59	W	-	9	BR	-
61	R	-	10	P	-
62	SB	-	11	BR	-
63	LG	-	12	LG	-
64	Y	-	13	GR	-
65	SB	-	24	Y	-
66	GR	-	25	W	-
67	LG	-	31	BR	-
68	EG	-	32	B	-
71	LG	-	33	B	-
72	V	-	34	V	-
73	G	-	35	P	-
74	BR	-	36	W	-
75	V	-	37	SB	-
78	P	-	38	LG	-
79	SB	-	40	P	-
83	R	-	41	G	-
86	EG	-	42	BR	-
91	G	-	43	BR	-
92	Y	-	44	BR	-
94	GR	-	46	EG	-
95	EG	-	51	Y	-
96	W	-	52	V	-
97	LG	-	54	R	-
98	L	-	55	R	-
99	P	-	57	W	-
100	SHIELD	-	58	V	-

Connector No. M19
 Connector Name WIRE TO WIRE
 Connector Type TH80MW-CS16-TM4

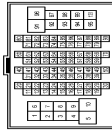


Terminal No.	Color Of Wire	Signal Name [Specification]
1	Y	-
2	G	-
3	SB	-
4	BR	-
6	R	-

7	W	-
8	V	-
9	BR	-
10	P	-
11	BR	-
12	LG	-
13	GR	-
24	Y	-
25	W	-
31	BR	-
32	B	-
33	B	-
34	V	-
35	P	-
36	W	-
37	SB	-
38	LG	-
40	P	-
41	G	-
42	BR	-
43	BR	-
44	BR	-
46	EG	-
51	Y	-
52	V	-
54	R	-
55	R	-
57	W	-
58	V	-
59	EG	-
62	EG	-
63	BR	-
64	Y	-
65	W	-
70	LG	-
71	W	-
72	B	-
74	L	-
75	W	-
76	BR	-
77	B	-
81	B	-
83	EG	-
84	L	-
85	W	-
86	B	-
88	G	-
91	GR	-
94	GR	-
96	W	-

97	V	-
98	BR	-

Connector No. M40
 Connector Name WIRE TO WIRE
 Connector Type TH80MW-CS16-TM4



Terminal No.	Color Of Wire	Signal Name [Specification]
2	GR	-
3	L	-
4	V	-
6	WB	-
7	V	-
10	W	-
11	W	-
12	B	-
13	GR	-
14	B	-
15	SB	-
16	B	-
17	LG	-
18	B	-
31	W	-
32	V	-
35	EG	-
36	G	-
37	B	-
38	L	-
39	Y	-
40	GR	-
41	L	-
44	BR	-
45	W	-
46	C	-
47	B	-
48	SHIELD	-
49	B	-
50	BR	-
51	L	-
52	W	-

53	G	-
54	Y	-
55	P	-
56	EG	-
57	GR	-
58	B	-
59	SB	-
61	WB	-
62	SB	-
63	LG	-
64	Y	-
65	R	-
66	V	-
67	LG	-
68	EG	-
71	V	-
72	LG	-
73	R	-
74	BR	-
75	B	-
78	G	-
79	R	-
83	R	-
86	V	-
91	W	-
92	R	-
94	EG	-
95	BR	-
96	W	-
97	LG	-
98	Y	-
99	BR	-
100	SHIELD	-

Connector No. M118
 Connector Name CIRCUIT BREAKER
 Connector Type M02FW4LC



JRJWC8384GB

A
B
C
D
E
F
G
H
I
SE
K
L
M
N
O
P

POWER SEAT CONTROL SYSTEM

< WIRING DIAGRAM >

POWER SEAT FOR DRIVER SIDE WITHOUT AUTOMATIC DRIVE POSITIONER

Terminal No.	Color Of Wire	Signal Name (Specification)
1	W	-
2	SB	-

JRJWC8385GB

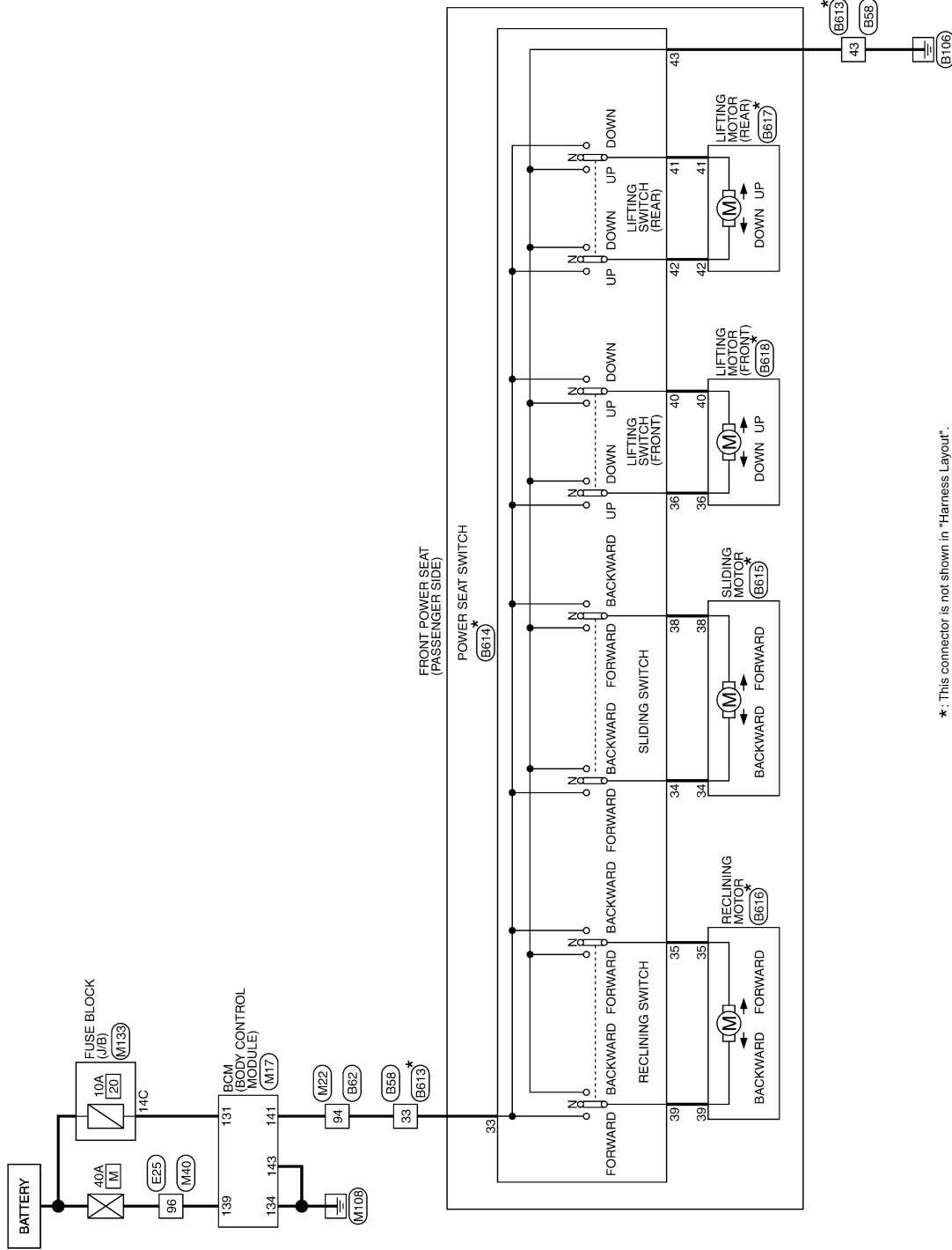
POWER SEAT CONTROL SYSTEM

< WIRING DIAGRAM >

Wiring Diagram (Passenger Side)

INFOID:000000011285079

POWER SEAT FOR PASSENGER SIDE



*: This connector is not shown in "Harness Layout".

2014/07/28

JRJWC8386GB

A
B
C
D
E
F
G
H
I
SE
K
L
M
N
O
P

POWER SEAT CONTROL SYSTEM

< WIRING DIAGRAM >

POWER SEAT FOR PASSENGER SIDE

Connector No.	B558
Connector Name	WIRE TO WIRE
Connector Type	NS16FW-CS



43	47	43
46	48	45

Terminal No.	Color Of Wire	Signal Name [Specification]
33	R	-
43	B	-
45	G	-
46	R	-
47	BR	-
48	V	-

Connector No.	B62
Connector Name	WIRE TO WIRE
Connector Type	TR80FW-CS16-TM4



14	15	16	17	18	19	20	21	22	23	24	25	26	27	28	29	30	31	32	33	34	35	36	37	38	39	40	41	42	43	44	45	46	47	48	49	50	51	52	53	54	55	56	57	58	59	60	61	62	63	64	65	66	67	68	69	70	71	72	73	74	75	76	77	78	79	80	81	82	83	84	85	86	87	88	89	90	91	92	93	94	95	96	97	98	99	100
----	----	----	----	----	----	----	----	----	----	----	----	----	----	----	----	----	----	----	----	----	----	----	----	----	----	----	----	----	----	----	----	----	----	----	----	----	----	----	----	----	----	----	----	----	----	----	----	----	----	----	----	----	----	----	----	----	----	----	----	----	----	----	----	----	----	----	----	----	----	----	----	----	----	----	----	----	----	----	----	----	----	----	----	----	----	-----

Terminal No.	Color Of Wire	Signal Name [Specification]
1	R	-
2	L	-
3	R	- [With BOSE system]
3	W	- [Without BOSE system]
4	SHIELD	-
5	G	-
6	W	-
7	BR	- [Without BOSE system]
7	W	- [With BOSE system]
8	B	- [With BOSE system]
8	Y	- [Without BOSE system]
9	SHIELD	-
10	V	-

Terminal No.	Color Of Wire	Signal Name [Specification]
11	GR	-
12	Y	-
13	R	-
14	BG	-
15	GR	-
16	V	-
17	P	-
18	L	-
19	R	-
20	GR	-
21	R	-
22	P	-
23	W	-
24	V	-
25	SB	-
26	G	-
28	LG	-
29	P	-
30	LG	-
36	R	-
37	R	-
38	W	-
39	W	-
45	G	-
46	SHIELD	-
47	G	-
48	BG	-
49	G	-
52	Y	-
53	R	-
54	GR	-
57	R	-
58	P	-
59	LG	-
62	P	-
63	L	-
64	W	-
66	LG	-
68	L	-
69	P	-
71	R	-
72	G	-
73	SHIELD	-
76	GR	-
84	BR	-
85	BG	-
86	W	-
87	LG	-
89	LG	-

Terminal No.	Color Of Wire	Signal Name [Specification]
90	V	-
92	W	-
93	R	-
94	R	-
95	Y	-
96	W	-
97	L	-
99	BR	-
100	BR	-

Connector No.	B613
Connector Name	WIRE TO WIRE
Connector Type	NS16MW-CS



43	47	33
45	48	46

Terminal No.	Color Of Wire	Signal Name [Specification]
33	-	-
43	-	-
45	-	-
46	-	-
47	-	-
48	-	-

Connector No.	B614
Connector Name	POWER SEAT SWITCH
Connector Type	NS10FW-CS



43	33	36	40
35	42	41	38
34	39	34	39

Terminal No.	Color Of Wire	Signal Name [Specification]
33	-	-
34	-	-
35	-	-
36	-	-
38	-	-
39	-	-
40	-	-
41	-	-
42	-	-
43	-	-

Connector No.	B615
Connector Name	SLIDING MOTOR
Connector Type	YAZAKI 7122-1460



38	38	34
34	38	34

Terminal No.	Color Of Wire	Signal Name [Specification]
34	-	-
38	-	-

Connector No.	B616
Connector Name	RECLINING MOTOR
Connector Type	YAZAKI 7122-1460



39	39	35
35	39	35

Terminal No.	Color Of Wire	Signal Name [Specification]
35	-	-
39	-	-

POWER SEAT CONTROL SYSTEM

< WIRING DIAGRAM >

POWER SEAT FOR PASSENGER SIDE

Connector No.	B817
Connector Name	LIFTING MOTOR (REAR)
Connector Type	YAZAKI 7123-1460



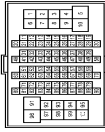
Terminal No.	Color Of Wire	Signal Name [Specification]
41	-	-
42	-	-

Connector No.	B818
Connector Name	LIFTING MOTOR (FRONT)
Connector Type	YAZAKI 7123-1460



Terminal No.	Color Of Wire	Signal Name [Specification]
36	-	-
40	-	-

Connector No.	E25
Connector Name	WIRE TO WIRE
Connector Type	TH80FW-CS16-TM4



Terminal No.	Color Of Wire	Signal Name [Specification]
2	W	-
3	LG	-
4	ER	-
6	V	-
7	L	-
10	BR	-
11	L	-
12	GR	-
13	W	-
14	B	-
15	SB	-
16	Y	-
17	BR	-
18	P	-
31	Y	-
32	GR	-
35	GR	-
36	R	-
37	V	-
38	L	-
39	Y	-
40	SB	-
41	LG	-
44	Y	-
45	W	-
46	B	-
47	G	-
48	SHIELD	-
49	R	-
50	ER	-
51	L	-
52	W	-
53	V	-
54	P	-
55	W	-
56	SB	-

57	BG	-
58	B	-
59	W	-
61	R	-
62	SB	-
63	LG	-
64	Y	-
65	SB	-
66	GR	-
67	LG	-
68	BG	-
71	LG	-
72	V	-
73	G	-
74	BR	-
75	V	-
76	P	-
78	SB	-
79	SB	-
83	R	-
86	BG	-
91	G	-
92	Y	-
94	GR	-
95	BG	-
96	W	-
97	LG	-
98	L	-
99	P	-
100	SHIELD	-

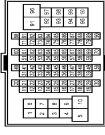
Connector No.	M17
Connector Name	BCM (BODY CONTROL MODULE)
Connector Type	FEA09FW-FHAG-SA



Terminal No.	Color Of Wire	Signal Name [Specification]
129	LG	INT ROOM LAMP PWR SPLY
130	P	PASS DOOR UNLK OUTPUT
131	Y	BAT (FUSE)
132	V	RR, RL DOOR UNLK OUTPUT
133	BR	RR, RL DOOR UNLK OUTPUT

134	B	GND
135	V	FRONT DOOR, FL LID LK OUTPUT
136	V	INT ROOM LAMP CONT
137	LG	FRONT DOOR, FL LID UNLK OUTPUT
138	P	REAR DOORS ACT PWR SPLY
139	W	BAT (FL)
140	BR	IGN ON
141	R	PWR SPLY (BAT)
142	R	FRONT DOORS, FL LID ACT PWR SPLY
143	B	GND

Connector No.	M22
Connector Name	WIRE TO WIRE
Connector Type	TH80MW-CS16-TM4



Terminal No.	Color Of Wire	Signal Name [Specification]
1	LG	-
2	L	-
3	R	-
4	SHIELD	-
5	G	-
6	BG	-
7	LG	-
8	P	-
9	SHIELD	-
10	V	-
11	GR	-
12	V	-
13	LG	-
14	LG	-
15	P	-
16	SB	- [With DCM]
16	V	- [Without DCM]
17	Y	-
18	L	-
19	G	-
20	GR	-
21	R	-
22	W	-
23	L	-

A
B
C
D
E
F
G
H
I
SE
K
L
M
N
O
P

POWER SEAT CONTROL SYSTEM

< WIRING DIAGRAM >

POWER SEAT FOR PASSENGER SIDE

24	V	-
25	LG	-
26	GR	-
28	LG	-
29	SB	-
30	LG	-
36	R	-
37	R	-
38	W	-
39	V	-
45	G	-
46	SHIELD	-
47	G	-
48	BR	-
49	SB	-
52	Y	-
53	R	-
54	GR	-
57	R	-
58	SB	-
59	LG	-
62	V	-
63	L	-
64	W	-
66	R	-
68	L	-
69	P	-
71	R	-
72	G	-
73	SHIELD	-
76	V	-
84	BR	-
85	BR	-
86	V	-
87	LG	-
89	BR	-
90	V	-
92	W	-
93	R	-
94	R	-
95	Y	-
96	W	-
97	L	-
99	BR	-
100	BR	-

Connector No.	M40
Connector Name	WIRE TO WIRE
Connector Type	TH80MW-CS16-TM4



Terminal No.	Color Of Wire	Signal Name [Specification]
2	GR	-
3	L	-
4	V	-
5	WB	-
6	V	-
7	W	-
8	W	-
9	W	-
10	W	-
11	W	-
12	B	-
13	GR	-
14	B	-
15	SB	-
16	B	-
17	LG	-
18	B	-
31	W	-
32	V	-
35	BG	-
36	G	-
37	B	-
38	L	-
39	Y	-
40	GR	-
41	L	-
44	BR	-
45	W	-
46	G	-
47	R	-
48	SHIELD	-
49	B	-
50	BR	-
51	L	-
52	W	-
53	G	-
54	Y	-
55	P	-
56	BG	-

16C	R	-
17C	L	-
18C	BG	- [Without DRPO] - [With DRPO]
18C	P	-
19C	B	-
20C	W	-
21C	L	-
22C	L	-
23C	L	-
25C	LG	-
26C	SB	-
27C	P	-
28C	W	-
29C	W	-
2C	R	-
30C	R	-
31C	W	-
32C	R	-
33C	R	-
34C	B	-
35C	WB	-
36C	SB	-
37C	R	-
37C	W	-
38C	SB	-
38C	V	-
3C	P	-
40C	G	-
4C	P	-
5C	P	-
6C	G	-
7C	G	-
9C	V	-

57	GR	-
58	B	-
59	WB	-
61	WB	-
62	SB	-
63	LG	-
64	Y	-
65	R	-
66	V	-
67	LG	-
68	BG	-
71	V	-
72	LG	-
73	R	-
74	BR	-
75	B	-
76	G	-
78	G	-
79	R	-
83	R	-
86	V	-
91	W	-
92	R	-
94	BG	-
95	BR	-
96	W	-
97	LG	-
98	Y	-
99	BR	-
100	SHIELD	-

Connector No.	M133
Connector Name	FUSE BLOCK (JIB)
Connector Type	TH40FM-NH



Terminal No.	Color Of Wire	Signal Name [Specification]
10C	V	-
11C	V	-
13C	L	-
14C	Y	-
15C	R	-

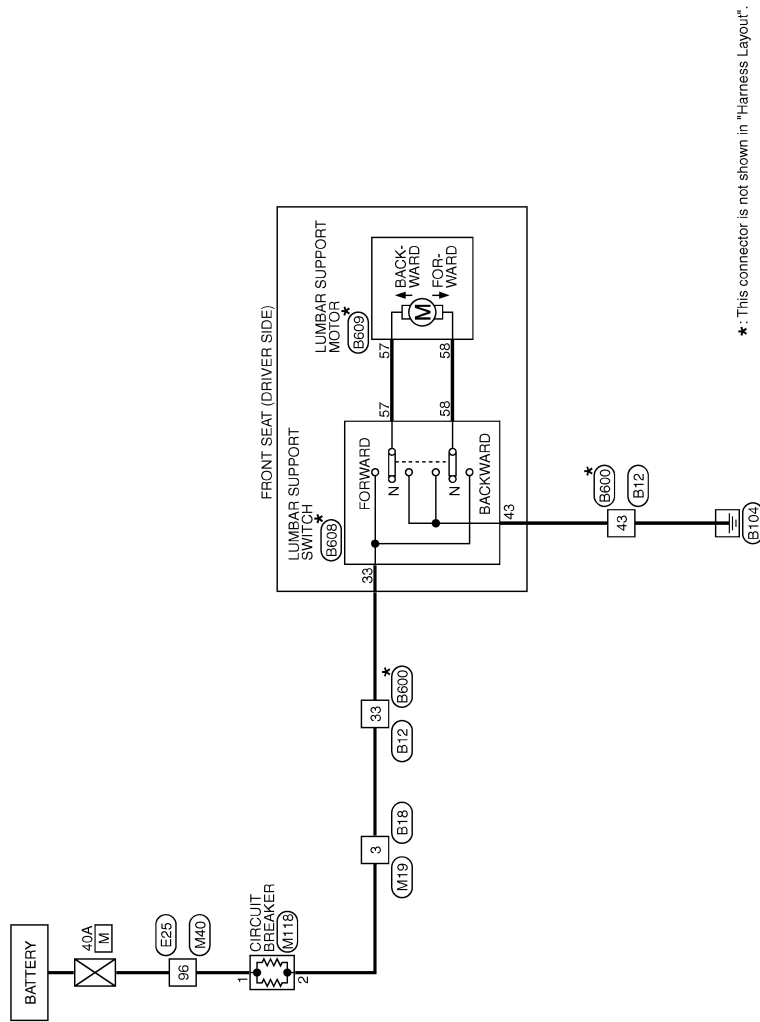
LUMBAR SUPPORT SYSTEM

< WIRING DIAGRAM >

LUMBAR SUPPORT SYSTEM

Wiring Diagram

INFOID:000000011285080



LUMBAR SUPPORT

2013/05/17

JRJWC1386GB

A
B
C
D
E
F
G
H
I
SE
K
L
M
N
O
P

LUMBAR SUPPORT SYSTEM

< WIRING DIAGRAM >

LUMBAR SUPPORT

Connector No.	B12
Connector Name	WIRE TO WIRE
Connector Type	NS16FW-CS



28	21	5	2	43	1	17		
23	7	33	22	45	6	47	48	46

Terminal No.	Color Of Wire	Signal Name [Specification]
1	L	-
2	LG	-
5	P	-
9	V	-
7	P	-
17	P	- [Without Gateway]
17	R	- [With Gateway]
21	BG	-
22	BR	-
23	BG	-
28	R	-
33	L	-
43	B	-
45	G	-
46	BG	-
47	R	-
48	GR	-

Connector No.	B18
Connector Name	WIRE TO WIRE
Connector Type	TH80FW-CS16-TM4



1	2	3	4	5	6	7	8	9	10	11	12	13	14	15	16	17	18	19	20	21	22	23	24	25	26	27	28	29	30	31	32	33	34	35	36	37	38	39	40	41	42	43	44	45	46	47	48	49	50	51	52	53	54	55	56	57	58	59	60	61	62	63	64	65	66	67	68	69	70	71	72	73	74	75	76	77	78	79	80	81	82	83	84	85	86	87	88	89	90	91	92	93	94	95	96	97	98	99	100
---	---	---	---	---	---	---	---	---	----	----	----	----	----	----	----	----	----	----	----	----	----	----	----	----	----	----	----	----	----	----	----	----	----	----	----	----	----	----	----	----	----	----	----	----	----	----	----	----	----	----	----	----	----	----	----	----	----	----	----	----	----	----	----	----	----	----	----	----	----	----	----	----	----	----	----	----	----	----	----	----	----	----	----	----	----	----	----	----	----	----	----	----	----	----	----	----	----	----	-----

Terminal No.	Color Of Wire	Signal Name [Specification]
1	Y	-
2	G	-
3	L	-
4	LG	-
6	R	-
7	V	-
8	LG	-
9	BR	-
10	P	-
11	BG	-
12	LG	-
13	GR	-
24	Y	-
25	W	-
31	B	-
32	B	-
33	B	-
34	LG	-
35	P	-
36	W	-
37	SB	-
38	LG	-
40	P	-
41	SB	-
42	BR	-
43	BG	-
44	BG	-
46	R	-
51	SB	-
52	V	-
54	R	-
55	R	-
57	W	-
58	V	-
59	GR	-
62	BG	-
63	BR	-
64	Y	-
65	W	-
70	R	-
71	W	-
72	B	-
74	L	-
75	R	-
76	BR	-
77	B	-
81	B	-

83	BG	-
84	L	-
85	R	-
86	B	-
88	G	-
91	GR	-
94	GR	-
96	Y	-
97	V	-
98	BR	-

Connector No.	B600
Connector Name	WIRE TO WIRE
Connector Type	NS16MW-CS



17	1	43	2	15	21	28		
46	48	47	6	45	22	33	7	23

Terminal No.	Color Of Wire	Signal Name [Specification]
1	-	-
2	-	-
5	-	-
6	-	-
7	-	-
17	-	-
21	-	-
22	-	-
23	-	-
28	-	-
33	-	-
43	-	-
45	-	-
46	-	-
47	-	-
48	-	-

Connector No.	B608
Connector Name	LUMBAR SUPPORT SWITCH
Connector Type	NS04FW-CS



58	57	43	33
----	----	----	----

Terminal No.	Color Of Wire	Signal Name [Specification]
33	R	-
43	B	-
57	G	-
58	Y	-

Connector No.	B609
Connector Name	LUMBAR SUPPORT MOTOR
Connector Type	TB02FW-TV



63	67
----	----

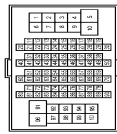
Terminal No.	Color Of Wire	Signal Name [Specification]
57	G	-
58	Y	-

LUMBAR SUPPORT SYSTEM

< WIRING DIAGRAM >

LUMBAR SUPPORT

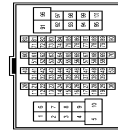
Connector No.	IE25
Connector Name	WIRE TO WIRE
Connector Type	TH80FW-CS16-TM4



Terminal No.	Color Of Wire	Signal Name [Specification]
2	W	
3	LG	
4	BR	
6	V	
7	L	
10	BR	
11	L	
12	GR	
13	W	
14	B	
15	SB	
16	Y	
17	BR	
18	P	
31	Y	
32	GR	
35	GR	
36	R	
37	V	
38	L	
39	Y	
40	SB	
41	LG	
44	Y	
45	W	
46	B	
47	G	
48	SHIELD	
49	R	
50	BR	
51	L	
52	W	
53	V	
54	P	
55	W	
56	SB	

57	BG	
58	B	
59	W	
61	R	
62	SB	
63	LG	
64	Y	
65	SB	
66	GR	
67	LG	
68	BG	
71	LG	
72	V	
73	G	
74	BR	
75	V	
78	P	
79	SB	
83	R	
86	BG	
91	G	
92	Y	
94	GR	
95	BG	
96	W	
97	LG	
98	L	
99	P	
100	SHIELD	

Connector No.	M19
Connector Name	WIRE TO WIRE
Connector Type	TH80MW-CS16-TM4

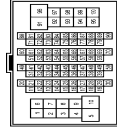


Terminal No.	Color Of Wire	Signal Name [Specification]
1	Y	
2	G	
3	SB	
4	BR	
6	R	

7	W	
8	V	
9	BR	
10	P	
11	BR	
12	LG	
13	GR	
24	Y	
25	W	
31	BR	
32	B	
33	B	
34	V	
35	P	
36	W	
37	SB	
38	LG	
40	P	
41	G	
42	BR	
43	BR	
44	BR	
46	BG	
51	Y	
52	V	
54	R	
55	R	
57	W	
58	V	
59	BG	
62	BG	
63	BR	
64	Y	
65	W	
70	LG	
71	W	
72	B	
74	L	
75	W	
76	BR	
77	B	
81	B	
83	BG	
84	L	
85	W	
86	B	
88	G	
91	GR	
94	GR	
96	W	

97	V	
98	BR	

Connector No.	M40
Connector Name	WIRE TO WIRE
Connector Type	TH80MW-CS16-TM4



Terminal No.	Color Of Wire	Signal Name [Specification]
2	GR	
3	L	
4	V	
6	W/B	
7	V	
10	W	
11	W	
12	B	
13	GR	
14	B	
15	SB	
16	B	
17	LG	
18	B	
31	W	
32	V	
35	BG	
36	G	
37	B	
38	L	
39	Y	
40	GR	
41	L	
44	BR	
45	W	
46	G	
47	B	
48	SHIELD	
49	B	
50	BR	
51	L	
52	W	

JRJWC8391GB

A
B
C
D
E
F
G
H
I
SE
K
L
M
N
O
P

LUMBAR SUPPORT SYSTEM

< WIRING DIAGRAM >

LUMBAR SUPPORT

53	G	-	-
54	Y	-	-
55	P	-	-
56	BG	-	-
57	GR	-	-
58	B	-	-
59	SB	-	-
61	W/B	-	-
62	SB	-	-
63	LG	-	-
64	Y	-	-
65	R	-	-
66	V	-	-
67	LG	-	-
68	BG	-	-
71	V	-	-
72	LG	-	-
73	R	-	-
74	BR	-	-
75	B	-	-
78	G	-	-
79	R	-	-
83	R	-	-
86	V	-	-
91	W	-	-
92	R	-	-
94	BG	-	-
95	BR	-	-
96	W	-	-
97	LG	-	-
98	Y	-	-
99	BR	-	-
100	SHIELD	-	-

Terminal No.	Color Of Wire	Signal Name [Specification]
1	W	-
2	SB	-

Connector No.	M118
Connector Name	CIRCUIT BREAKER
Connector Type	M02FWLC



JRJWC8392GB

SIDE SUPPORT SYSTEM

< WIRING DIAGRAM >

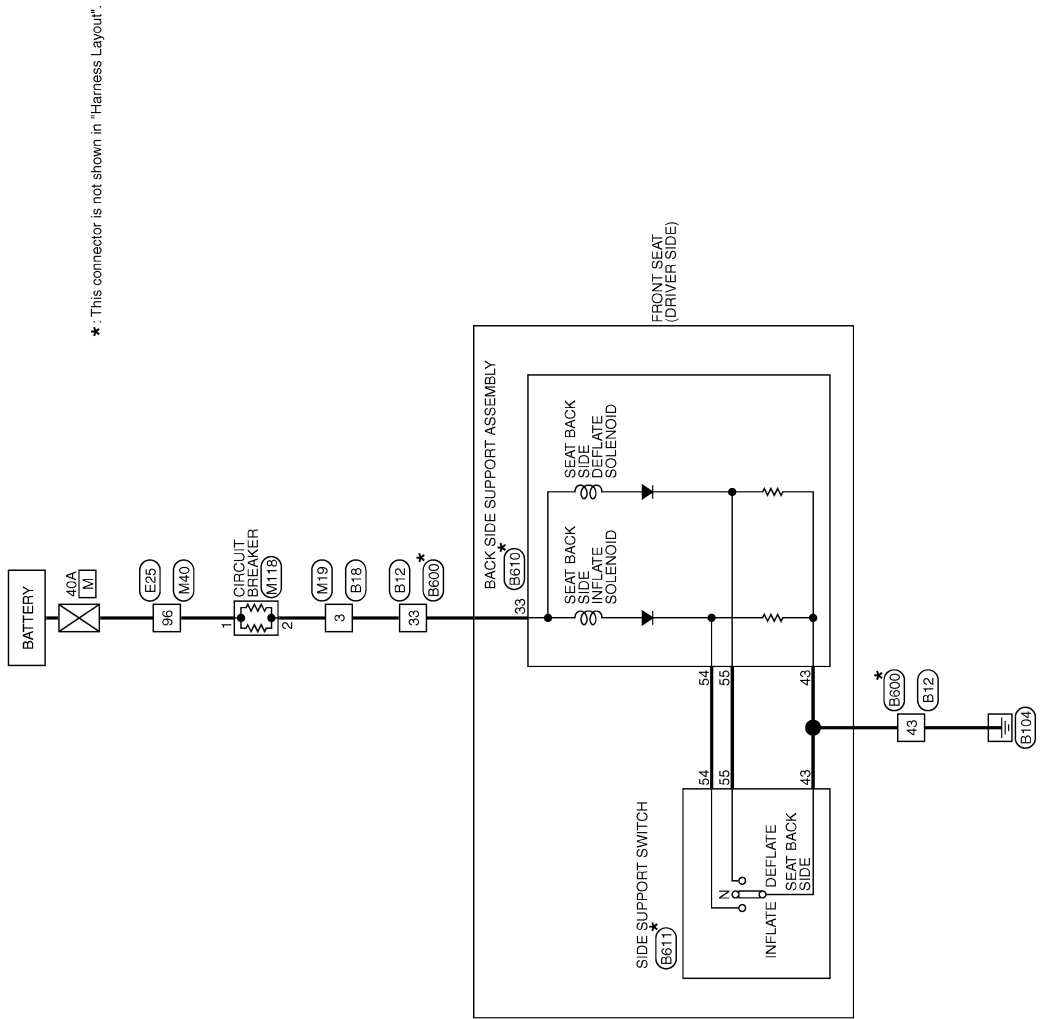
SIDE SUPPORT SYSTEM

Wiring Diagram

INFOID:000000011285081

A
B
C
D
E
F
G
H
I
SE
K
L
M
N
O
P

SIDE SUPPORT



2013/05/17

JRJWC1390GB

SIDE SUPPORT SYSTEM

< WIRING DIAGRAM >

SIDE SUPPORT

Connector No.	B12
Connector Name	WIRE TO WIRE
Connector Type	NS16FW-CS



28	21	5	2	43	1	17
23	7	33	22	45	6	47
48	46	43	44	45	46	47

Terminal No.	Color Of Wire	Signal Name [Specification]
1	L	-
2	LG	-
5	P	-
6	V	-
7	P	-
17	P	- [Without Gateway]
17	R	- [With Gateway]
21	BG	-
22	BR	-
23	BG	-
28	R	-
33	L	-
43	B	-
45	G	-
46	BG	-
47	R	-
48	GR	-

Connector No.	B18
Connector Name	WIRE TO WIRE
Connector Type	TH80FW-CS16-TM4



Terminal No.	Color Of Wire	Signal Name [Specification]
1	Y	-
2	G	-
3	L	-
4	LG	-
6	R	-
7	V	-
8	LG	-
9	BR	-
10	P	-
11	BG	-
12	LG	-
13	GR	-
24	Y	-
25	W	-
31	B	-
32	B	-
33	B	-
34	LG	-
35	P	-
36	W	-
37	SB	-
38	LG	-
40	P	-
41	SB	-
42	BR	-
43	BG	-
44	BG	-
46	R	-
51	SB	-
52	V	-
54	R	-
55	R	-
57	W	-
58	V	-
59	GR	-
62	BG	-
63	BR	-
64	Y	-
65	W	-
70	R	-
71	W	-
72	B	-
74	L	-
75	R	-
76	BR	-
77	B	-
81	B	-

83	BG	-
84	L	-
85	R	-
86	B	-
88	G	-
91	GR	-
94	GR	-
96	Y	-
97	V	-
98	BR	-

Connector No.	B600
Connector Name	WIRE TO WIRE
Connector Type	NS16MW-CS



17	1	43	2	15	21	28
46	48	47	6	45	22	33
7	23					

Terminal No.	Color Of Wire	Signal Name [Specification]
1	-	-
2	-	-
5	-	-
6	-	-
7	-	-
17	-	-
21	-	-
22	-	-
23	-	-
28	-	-
33	-	-
43	-	-
45	-	-
46	-	-
47	-	-
48	-	-

Connector No.	B610
Connector Name	BACK SIDE SUPPORT ASSEMBLY
Connector Type	NS06FW-CS



55	43
33	43

Terminal No.	Color Of Wire	Signal Name [Specification]
33	-	-
43	-	-
54	-	-
55	-	-

Connector No.	B611
Connector Name	SIDE SUPPORT SWITCH
Connector Type	CJ4MB

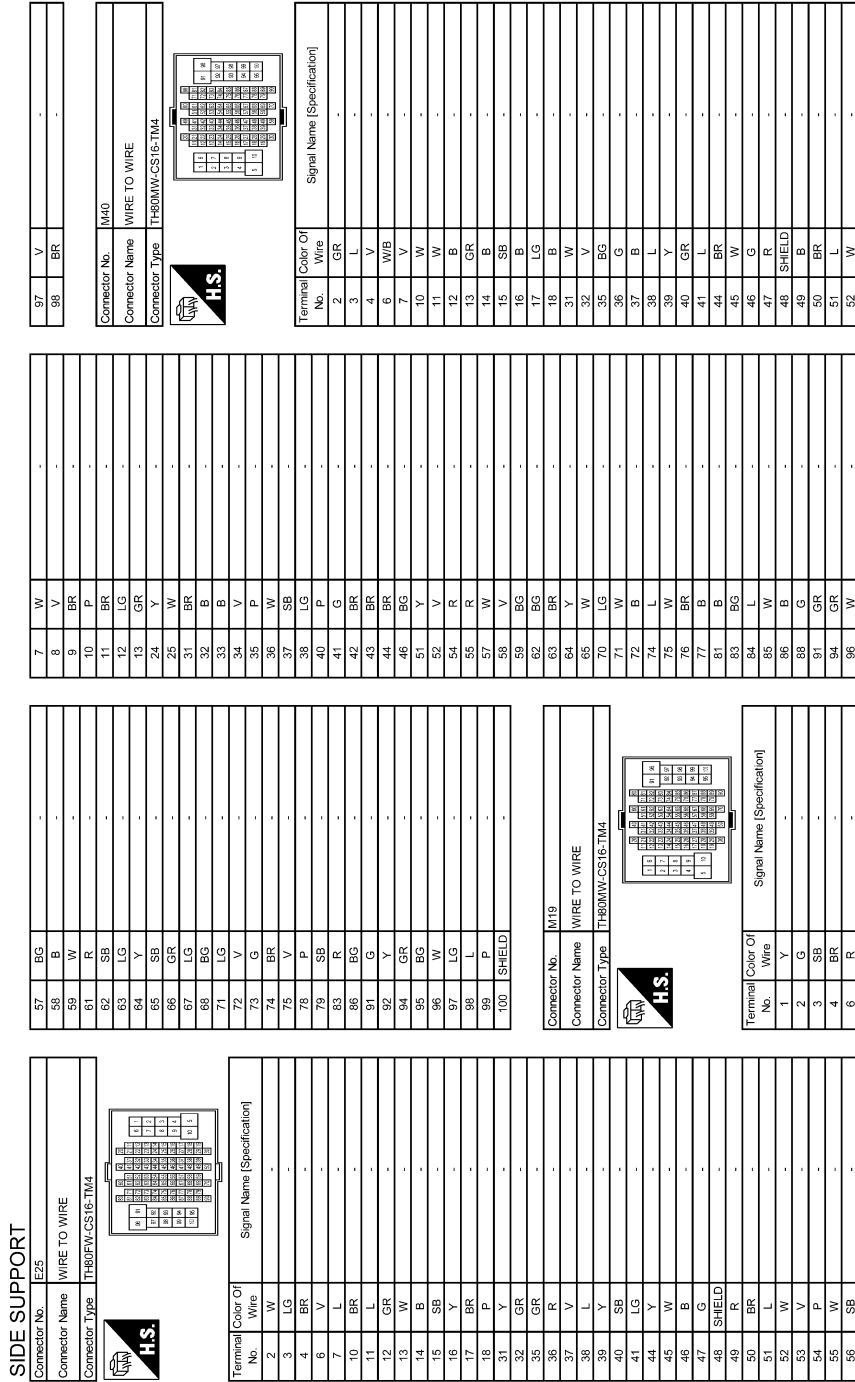


43	43
55	64

Terminal No.	Color Of Wire	Signal Name [Specification]
43	B	-
54	BR	-
55	W	-

SIDE SUPPORT SYSTEM

< WIRING DIAGRAM >




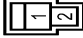
A
B
C
D
E
F
G
H
I
SE
K
L
M
N
O
P

SIDE SUPPORT SYSTEM

< WIRING DIAGRAM >

Terminal No.	Color Of Wire	Signal Name [Specification]
53	G	-
54	Y	-
55	P	-
56	BG	-
57	GR	-
58	B	-
59	SB	-
61	W/B	-
62	SB	-
63	LG	-
64	Y	-
65	R	-
66	V	-
67	LG	-
68	BG	-
71	V	-
72	LG	-
73	R	-
74	BR	-
75	B	-
78	G	-
79	R	-
83	R	-
86	V	-
91	W	-
92	R	-
94	BG	-
95	BR	-
96	W	-
97	LG	-
98	Y	-
99	BR	-
100	SHIELD	-

Connector No.	M118
Connector Name	CIRCUIT BREAKER
Connector Type	M02FWLC

JRJWC8395GB

TILT & TELESCOPIC SYSTEM

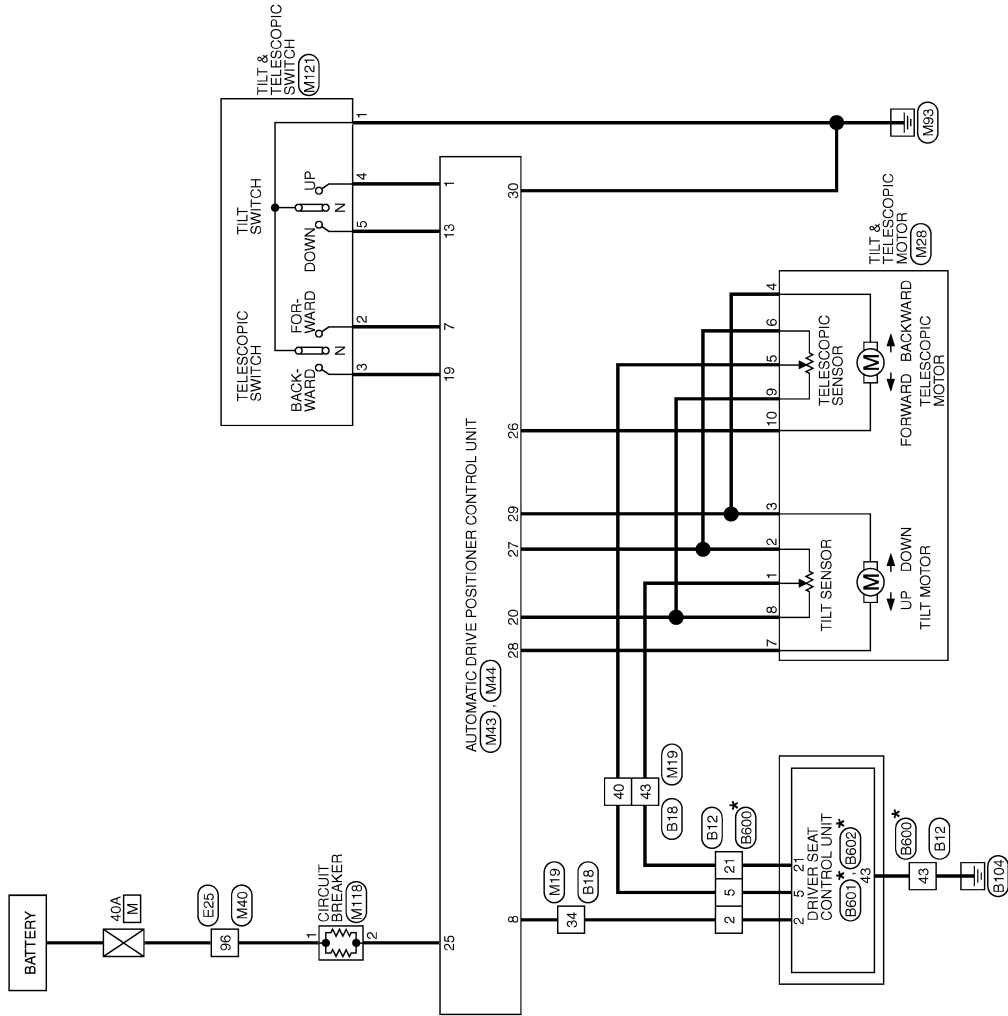
< WIRING DIAGRAM >

TILT & TELESCOPIC SYSTEM

Wiring Diagram

INFOID:000000011285082

TILT & TELESCOPIC SYSTEM



* : This connector is not shown in "Harness Layout".

2013/05/17

JRJWC1394GB

A
B
C
D
E
F
G
H
I
SE
K
L
M
N
O
P

TILT & TELESCOPIC SYSTEM

< WIRING DIAGRAM >

TILT AND TELESCOPIC SYSTEM

Connector No.	B12
Connector Name	WIRE TO WIRE
Connector Type	NS16FW-CS



28	21	5	2	43	1	17		
23	7	33	22	45	6	47	48	46

Terminal No.	Color Of Wire	Signal Name [Specification]
1	L	-
2	LG	-
5	P	-
9	V	-
9	P	-
17	P	- [Without Gateway]
17	R	- [With Gateway]
21	BG	-
23	BR	-
28	BR	-
33	L	-
43	B	-
45	G	-
46	BG	-
47	R	-
48	GR	-

Connector No.	B18
Connector Name	WIRE TO WIRE
Connector Type	TH80FW-CS16-TM4



1	2	3	4	5	6	7	8	9	10	11	12	13	14	15	16	17	18	19	20	21	22	23	24	25	26	27	28	29	30	31	32	33	34	35	36	37	38	39	40	41	42	43	44	45	46	47	48	49	50	51	52	53	54	55	56	57	58	59	60	61	62	63	64	65	66	67	68	69	70	71	72	73	74	75	76	77	78	79	80	81	82	83	84	85	86	87	88	89	90	91	92	93	94	95	96	97	98	99	100
---	---	---	---	---	---	---	---	---	----	----	----	----	----	----	----	----	----	----	----	----	----	----	----	----	----	----	----	----	----	----	----	----	----	----	----	----	----	----	----	----	----	----	----	----	----	----	----	----	----	----	----	----	----	----	----	----	----	----	----	----	----	----	----	----	----	----	----	----	----	----	----	----	----	----	----	----	----	----	----	----	----	----	----	----	----	----	----	----	----	----	----	----	----	----	----	----	----	----	-----

Terminal No.	Color Of Wire	Signal Name [Specification]
1	Y	-
2	G	-
3	L	-
4	LG	-
6	R	-
7	V	-
8	LG	-
9	BR	-
10	P	-
11	BG	-
12	LG	-
13	GR	-
24	Y	-
25	W	-
31	B	-
32	B	-
34	LG	-
35	P	-
36	W	-
37	SB	-
38	LG	-
40	P	-
41	SB	-
42	BR	-
43	BG	-
44	BG	-
46	R	-
51	SB	-
52	V	-
54	R	-
55	R	-
57	W	-
58	V	-
59	GR	-
62	BG	-
63	BR	-
64	Y	-
65	W	-
70	R	-
71	W	-
72	B	-
74	L	-
75	R	-
76	BR	-
77	B	-
81	B	-

83	BG	-
84	L	-
85	R	-
86	B	-
88	G	-
91	GR	-
94	GR	-
96	Y	-
97	V	-
98	BR	-

Connector No.	B600
Connector Name	WIRE TO WIRE
Connector Type	NS16MW-CS



17	1	43						
46	48	47	6	45	23	37	7	23

Terminal No.	Color Of Wire	Signal Name [Specification]
1	-	-
2	-	-
5	-	-
6	-	-
7	-	-
17	-	-
21	-	-
22	-	-
23	-	-
28	-	-
33	-	-
43	-	-
45	-	-
46	-	-
47	-	-
48	-	-

Connector No.	B601
Connector Name	DRIVER SEAT CONTROL UNIT
Connector Type	TH32FM-NH



1	2	3	4	5	6	7	8	9	10	11	12	13	14	15	16	17	18	19	20	21	22	23	24	25	26	27	28
---	---	---	---	---	---	---	---	---	----	----	----	----	----	----	----	----	----	----	----	----	----	----	----	----	----	----	----

Terminal No.	Color Of Wire	Signal Name [Specification]
1	L	CANH
2	BR	LMRT (TX/RX)
3	R	START SW
4	B	PULSE RECLINER
5	V	PULSE (TELESCOPIC)
6	GY	ADDRESS 2
7	G	IND 2
8	V	SLIDE SW (BACKWARD)
9	W	RECLINER SW (BACKWARD)
10	O	TILT SW (DOWNWARD)
11	G	LIFTER SW (DOWNWARD)
12	SB	POWER SUPPLY (ENCODER)
17	P	CANL
18	LG	PULSE (SLIDE SENSOR)
19	W	PULSE (LIFTER FRONT)
20	GY	PULSE (LIFTER REAR)
21	SB	PULSE (TILT SENSOR)
22	O	ADDRESS 1
23	W	IND 1
24	P	SLIDE SW (FORWARD)
25	Y	RECLINER SW (FORWARD)
26	GY	TILT SW (UPWARD)
27	L	LIFTER SW (UPWARD)
28	Y	SET SW

TILT & TELESCOPIC SYSTEM

< WIRING DIAGRAM >

TILT AND TELESCOPIC SYSTEM

Connector No.	B802
Connector Name	DRIVER SEAT CONTROL UNIT
Connector Type	NS12FM-CS



33	34	35	36
38	39	40	41
42	43		

Terminal No.	Color Of Wire	Signal Name [Specification]
33	R	BAT (PTC)
34	V	SLIDE MOTOR (BACKWARD)
35	Y	RECLINER MOTOR (FORWARD)
36	O	TILT MOTOR (DOWNWARD)
38	P	SLIDE MOTOR (FORWARD)
39	W	RECLINER MOTOR (BACKWARD)
40	GY	TILT MOTOR (UPWARD)
41	L	REAR LIFTER MOTOR (UPWARD)
42	G	REAR LIFTER MOTOR (DOWNWARD)
43	B	GND

Connector No.	E25
Connector Name	WIRE TO WIRE
Connector Type	TH80FM-CS16-TM4



33	34	35	36
38	39	40	41
42	43		

Terminal No.	Color Of Wire	Signal Name [Specification]
2	W	-
3	LG	-
4	BR	-
5	V	-
6	Y	-
7	L	-
10	BR	-
11	L	-
12	GR	-
13	W	-
14	B	-

15	SB	-
16	Y	-
17	BR	-
18	P	-
31	Y	-
32	GR	-
35	GR	-
36	R	-
37	V	-
38	L	-
39	Y	-
40	SB	-
41	LG	-
44	Y	-
45	W	-
46	B	-
47	G	-
48	SHIELD	-
49	R	-
50	BR	-
51	L	-
52	W	-
53	V	-
54	P	-
55	W	-
56	SB	-
57	BG	-
58	B	-
59	W	-
61	R	-
62	SB	-
63	LG	-
64	Y	-
65	SB	-
66	GR	-
67	LG	-
68	BG	-
71	LG	-
72	V	-
73	G	-
74	BR	-
75	V	-
78	P	-
79	SB	-
83	R	-
86	BG	-
81	G	-
82	Y	-
84	GR	-
94	GR	-
95	BG	-

96	W	-
97	LG	-
98	L	-
99	P	-
100	SHIELD	-

Connector No.	M19
Connector Name	WIRE TO WIRE
Connector Type	TH80MW-CS16-TM4



96	97	98	99	100
96	97	98	99	100

Terminal No.	Color Of Wire	Signal Name [Specification]
1	Y	-
2	G	-
3	SB	-
4	BR	-
6	R	-
7	W	-
8	V	-
9	BR	-
10	P	-
11	BR	-
12	LG	-
13	GR	-
24	Y	-
25	W	-
31	BR	-
32	B	-
33	B	-
34	V	-
35	P	-
36	W	-
37	SB	-
38	LG	-
40	P	-
41	G	-
42	BR	-
43	BR	-
44	Y	-
46	BG	-
51	Y	-

52	V	-
54	R	-
55	R	-
57	W	-
58	V	-
59	BG	-
62	BG	-
63	BR	-
64	Y	-
65	W	-
70	LG	-
71	W	-
72	B	-
74	L	-
75	W	-
76	BR	-
77	B	-
81	B	-
83	BG	-
84	L	-
85	W	-
86	B	-
88	G	-
91	GR	-
94	GR	-
96	W	-
97	V	-
98	BR	-

Connector No.	M28
Connector Name	TILT & TELESCOPIC MOTOR
Connector Type	NS10FM-CS



10	9	8	7
6	5	4	3
2	1		

Terminal No.	Color Of Wire	Signal Name [Specification]
1	BR	-
2	W	-
3	L	-
4	P	-
5	P	-
6	W	-

A
B
C
D
E
F
G
H
I
K
L
M
N
O
P

SE

TILT & TELESCOPIC SYSTEM

< WIRING DIAGRAM >

TILT AND TELESCOPIC SYSTEM

7	BR	-
8	Y	-
9	Y	-
10	G	-

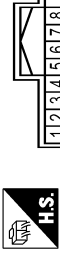
Connector No.	M40
Connector Name	WIRE TO WIRE
Connector Type	TR80MM-CS16-TM4



Terminal No.	Color Of Wire	Signal Name [Specification]
2	GR	-
3	L	-
4	V	-
5	WB	-
7	V	-
10	W	-
11	W	-
12	B	-
13	GR	-
14	B	-
15	SB	-
16	B	-
17	LG	-
18	B	-
31	W	-
32	V	-
35	EG	-
36	G	-
37	B	-
38	L	-
39	Y	-
40	GR	-
41	L	-
44	BR	-
45	W	-
46	C	-
47	R	-
48	SHIELD	-
49	B	-
50	BR	-

51	L	-
52	W	-
53	G	-
54	Y	-
55	P	-
56	EG	-
57	GR	-
58	B	-
59	SB	-
61	WB	-
62	SB	-
63	LG	-
64	Y	-
65	R	-
66	V	-
67	LG	-
68	EG	-
71	V	-
72	LG	-
73	R	-
74	BR	-
75	B	-
78	G	-
79	R	-
83	R	-
86	V	-
91	W	-
92	R	-
94	EG	-
95	BR	-
96	W	-
97	LG	-
98	Y	-
99	BR	-
100	SHIELD	-

Connector No.	M43
Connector Name	AUTOMATIC DRIVE POSITIONER CONTROL UNIT
Connector Type	TR24FM-NH



Terminal No.	Color Of Wire	Signal Name [Specification]
1	Y	LPIWARD
2	LG	MIRROR_SELECT_SW_RH
3	G	LEFTWARD
4	V	LEFTWARD
5	R	MIRROR_SENSOR
6	GR	MIRROR_SENSOR
7	GR	FRONTWARD
8	V	ROTX
10	WB	MIRROR_MOTOR
11	BR	MIRROR_MOTOR
12	Y	MIRROR_MOTOR
13	LG	DOWNWARD
14	W	MIRROR_SELECT_SW_LH
15	SB	DOWNWARD
16	L	RIGHTWARD
17	L	MIRROR_SENSOR
18	B	MIRROR_SENSOR
19	G	BACKWARD
20	Y	SENS_GND
21	W	POWER_SUPPLY
22	SB	MIRROR_MOTOR
23	P	MIRROR_MOTOR
24	WB	MIRROR_MOTOR

Connector No.	M44
Connector Name	AUTOMATIC DRIVE POSITIONER CONTROL UNIT
Connector Type	NS08FM-CS



Terminal No.	Color Of Wire	Signal Name [Specification]
25	SB	BAT
26	G	BACKWARD
27	W	POWER_SUPPLY_SENSOR_for_16V
28	BR	DOWNWARD
29	L	LPIWARDFORWARD
30	B	GND(POWER_SYSTEM)

Connector No.	M18
Connector Name	CIRCUIT BREAKER
Connector Type	MO2FM-LC



Terminal No.	Color Of Wire	Signal Name [Specification]
1	W	-
2	SB	-

JRJWC8398GB

TILT & TELESCOPIC SYSTEM

< WIRING DIAGRAM >

A
B
C
D
E
F
G
H
I
SE
K
L
M
N
O
P

TILT AND TELESCOPIC SYSTEM

Connector No.	M121
Connector Name	TILT & TELESCOPIC SWITCH
Connector Type	TK08FGY



Terminal No.	Color Of Wire	Signal Name [Specification]
1	B	GND
2	GR	TELESCOPIC FR
3	O	TELESCOPIC RR
4	Y	TILT UP
5	LG	TILT DOWN

JRJWC8399GB

HEATED SEAT SYSTEM

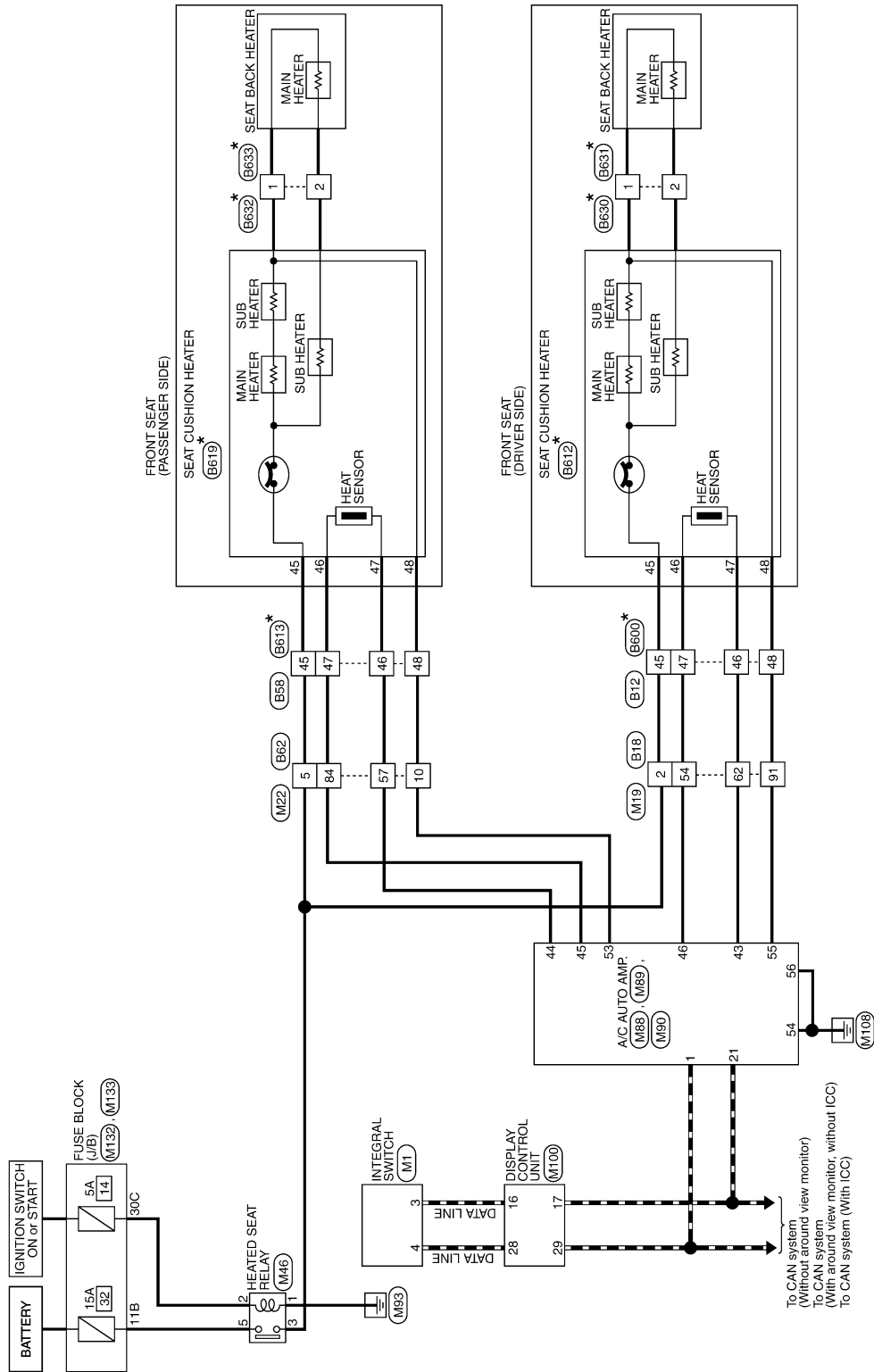
< WIRING DIAGRAM >

HEATED SEAT SYSTEM

Wiring Diagram

INFOID:000000011285083

HEATED SEAT SYSTEM



* : This connector is not shown in "Harness Layout".

2014/07/28

JRJWC8400GB

HEATED SEAT SYSTEM

< WIRING DIAGRAM >

HEATED SEAT SYSTEM

Connector No.	B12
Connector Name	WIRE TO WIRE
Connector Type	NS16FW-CS



28	21	15	2	43	1	17
23	7	33	22	45	16	47
48	46					

Terminal No.	Color Of Wire	Signal Name [Specification]
1	L	-
2	LG	-
3	P	-
4	V	-
5	P	-
6	P	-
7	P	-
17	R	- [Without Gateway]
17	R	- [With Gateway]
21	BG	-
22	BR	-
23	BG	-
28	R	-
33	L	-
42	BR	-
43	B	-
45	G	-
46	BG	-
47	R	-
48	GR	-

Connector No.	B18
Connector Name	WIRE TO WIRE
Connector Type	TH80FW-CS16-TM4



Terminal No.	Color Of Wire	Signal Name [Specification]
1	Y	-
2	G	-
3	L	-
4	LG	-
6	R	-
7	V	-
8	LG	-
9	BR	-
10	P	-
11	BG	-
12	LG	-
13	GR	-
24	Y	-
25	W	-
31	B	-
32	B	-
33	B	-
34	LG	-
35	P	-
36	W	-
37	SB	-
38	LG	-
40	P	-
41	SB	-
42	BR	-
43	BG	-
44	BG	-
46	R	-
51	SB	-
52	V	-
54	R	-
55	R	-
57	W	-
58	V	-
59	GR	-
62	BG	-
63	BR	-
64	Y	-
65	W	-
70	R	-
71	W	-
72	B	-
74	L	-
75	R	-
76	BR	-
77	B	-
81	B	-

83	BG	-
84	L	-
85	R	-
86	B	-
88	G	-
91	GR	-
94	GR	-
96	Y	-
97	V	-
98	BR	-

Connector No.	B58
Connector Name	WIRE TO WIRE
Connector Type	NS16FW-CS



13	17	43
16	48	49
46	48	45

Terminal No.	Color Of Wire	Signal Name [Specification]
33	R	-
43	B	-
45	G	-
46	R	-
47	BR	-
48	V	-

Connector No.	B62
Connector Name	WIRE TO WIRE
Connector Type	TH80FW-CS16-TM4

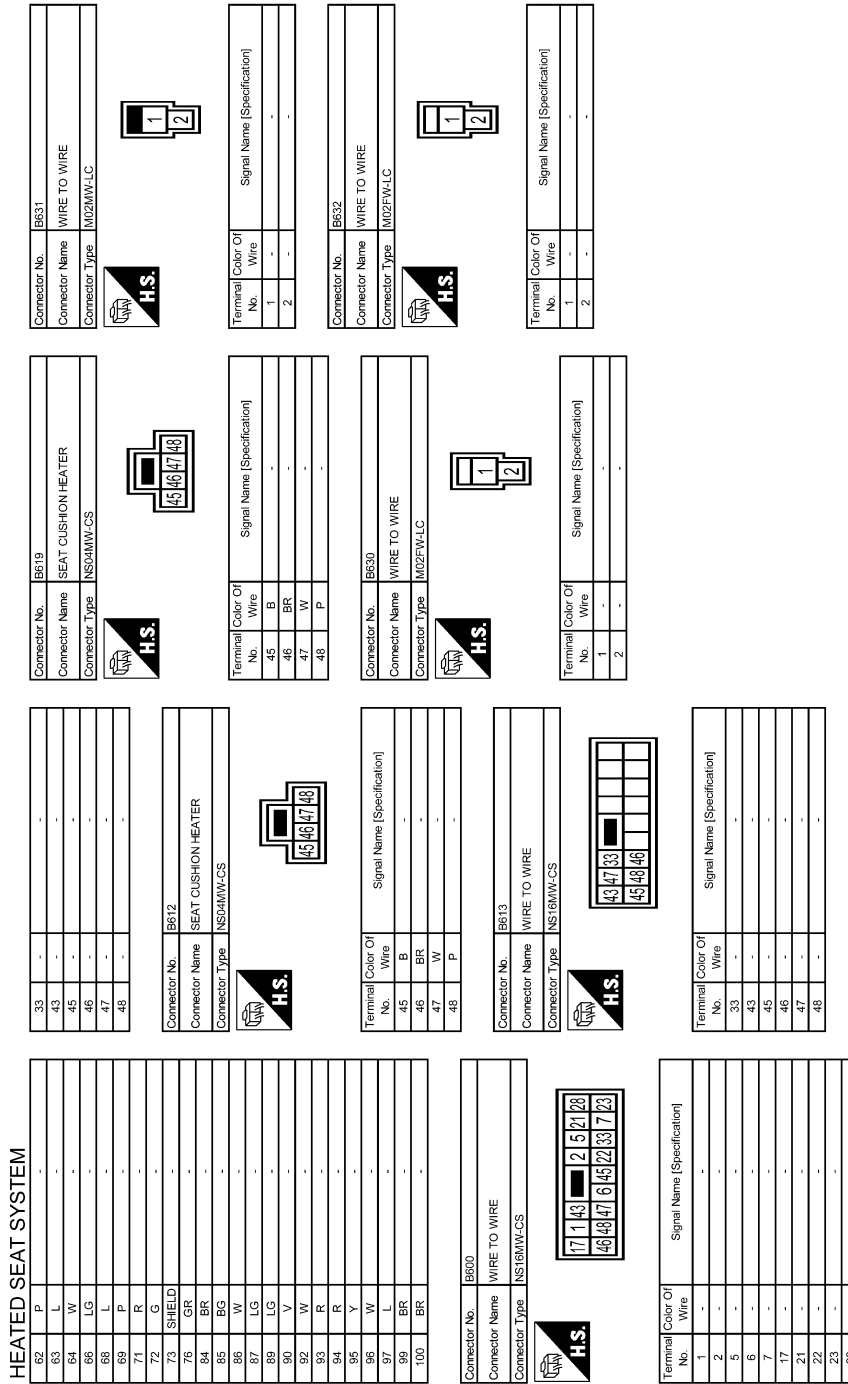


Terminal No.	Color Of Wire	Signal Name [Specification]
1	R	-
2	L	-
3	R	- [With BOSE system]
3	W	- [Without BOSE system]
4	SHIELD	-
5	G	-
6	W	-
7	BR	- [Without BOSE system]
7	W	- [With BOSE system]
8	B	-
8	Y	- [Without BOSE system]
9	SHIELD	-
10	V	-
11	GR	-
12	Y	-
13	R	-
14	BG	-
15	GR	-
16	V	-
17	P	-
18	L	-
19	R	-
20	GR	-
21	R	-
22	P	-
23	W	-
24	V	-
25	SB	-
26	G	-
28	LG	-
29	P	-
30	LG	-
36	R	-
37	R	-
38	W	-
39	W	-
45	G	-
46	SHIELD	-
47	G	-
48	BG	-
49	G	-
52	Y	-
53	R	-
54	GR	-
57	R	-
58	P	-
59	LG	-

A
B
C
D
E
F
G
H
I
SE
K
L
M
N
O
P

HEATED SEAT SYSTEM

< WIRING DIAGRAM >



JRJWC8402GB

HEATED SEAT SYSTEM

< WIRING DIAGRAM >

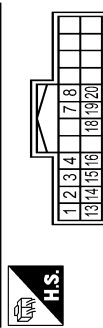
HEATED SEAT SYSTEM

Connector No.	B8533
Connector Name	WIRE TO WIRE
Connector Type	M02MW-LC



Terminal No.	Color Of Wire	Signal Name [Specification]
1	-	-
2	-	-

Connector No.	M1
Connector Name	INTEGRAL SWITCH
Connector Type	TH24FW-NH



Terminal No.	Color Of Wire	Signal Name [Specification]
1	W	BAT
2	R	ILL(TAIL LAMP)
3	SB	AV COMM (L)
4	LG	AV COMM (H)
7	W/B	DISK EJECT SIGNAL
8	G	HAZARD SIGNAL
13	B	GND
14	V	ACC
15	B	ILLUMINATION CONTROL SIGNAL
16	BG	DISK EJECT SIGNAL GROUND
18	R	IGN
19	BR	CAMERA SWITCH SIGNAL
20	LG	AIR BAG INDICATOR OFF SIGNAL

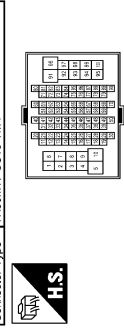
Connector No.	M19
Connector Name	WIRE TO WIRE
Connector Type	TH80MW-CS16-TM4



Terminal No.	Color Of Wire	Signal Name [Specification]
1	Y	-
2	G	-
3	SB	-
4	BR	-
6	R	-
7	W	-
8	V	-
9	BR	-
10	P	-
11	BR	-
12	LG	-
13	GR	-
24	Y	-
25	W	-
31	BR	-
32	B	-
33	B	-
34	V	-
35	P	-
36	W	-
37	SB	-
38	LG	-
40	P	-
41	G	-
42	BR	-
43	BR	-
44	BR	-
46	BG	-
51	Y	-
52	V	-
54	R	-
55	R	-
57	W	-
58	BG	-
59	BG	-
62	BG	-
51	Y	-
52	V	-
54	R	-
55	R	-
57	W	-
58	BG	-
59	BG	-
62	BG	-

63	BR	-	64	Y	-
65	W	-	70	LG	-
71	W	-	72	B	-
74	L	-	75	W	-
76	BR	-	77	B	-
81	B	-	83	BG	-
84	L	-	85	W	-
86	B	-	88	B	-
89	G	-	91	GR	-
91	GR	-	94	GR	-
96	W	-	97	V	-
98	BR	-			

Connector No.	M22
Connector Name	WIRE TO WIRE
Connector Type	TH80MW-CS16-TM4



Terminal No.	Color Of Wire	Signal Name [Specification]
1	LG	-
2	L	-
3	R	-
4	SHIELD	-
5	G	-
6	BG	-
7	LG	-
8	P	-
9	SHIELD	-
10	V	-
11	GR	-
12	V	-
13	LG	-

14	LG	-	64	Y	-
15	P	-	65	W	-
16	SB	-	70	LG	-
17	Y	-	71	W	-
18	L	-	72	B	-
19	G	-	74	L	-
20	GR	-	75	W	-
21	R	-	76	BR	-
22	W	-	77	B	-
23	L	-	81	B	-
24	V	-	83	BG	-
25	LG	-	84	L	-
26	GR	-	85	W	-
28	LG	-	88	B	-
29	SB	-	91	GR	-
30	LG	-	94	GR	-
36	R	-	96	W	-
37	R	-	97	V	-
38	W	-			
39	V	-			
45	G	-			
46	SHIELD	-			
47	G	-			
48	BR	-			
49	SB	-			
52	Y	-			
53	R	-			
54	GR	-			
57	R	-			
58	SB	-			
59	LG	-			
62	V	-			
63	L	-			
64	W	-			
66	R	-			
68	L	-			
69	P	-			
71	R	-			
72	G	-			
73	SHIELD	-			
76	V	-			
84	BR	-			
85	BR	-			
86	V	-			
87	LG	-			
89	BR	-			
90	V	-			
92	V	-			
93	R	-			

A
B
C
D
E
F
G
H
I
SE
K
L
M
N
O
P

HEATED SEAT SYSTEM

< WIRING DIAGRAM >

HEATED SEAT SYSTEM

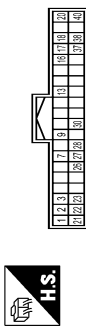
Terminal No.	Color Of Wire	Signal Name [Specification]
94	R	-
95	Y	-
96	W	-
97	L	-
99	BR	-
100	BR	-

Connector No.	M46
Connector Name	HEATED SEAT RELAY
Connector Type	MS02FL-M2-LC



Terminal No.	Color Of Wire	Signal Name [Specification]
1	B	-
2	R	-
3	G	-
5	LG	-

Connector No.	M68
Connector Name	AC AUTO AMP.
Connector Type	TH40FW-NH



Terminal No.	Color Of Wire	Signal Name [Specification]
1	L	CANH
2	B	GND
3	W	BAT
7	G	AMBIENT SENS
8	R	SUNLOAD SENS
13	V	IGN SW ACC
16	P	LIN
17	R	DOOR MOTOR PMR SPLV

18	P	BLOWER MOTOR CONT
20	L	HEAT STRG WHL RLY CONT
21	P	CANL
22	B	GND
23	W	IGN SW ON
26	B	SENS GND
27	LG	IN-VEHICLE SENS
28	BR	INTAKE SENS
30	BG	EXH GAS/OUT ODOR DTCT SENS
37	B	GND
38	BG	IONIZER CONT
40	BG	ECV CONT

Connector No.	M89
Connector Name	AC AUTO AMP.
Connector Type	TH12RW-NH



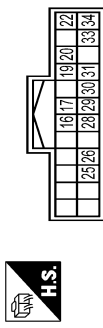
Terminal No.	Color Of Wire	Signal Name [Specification]
43	BG	SEAT HTR SENS GND2
44	R	SEAT HTR SENS GND1
45	BR	SEAT HTR SENS1
46	R	SEAT HTR SENS2

Connector No.	M90
Connector Name	AC AUTO AMP.
Connector Type	NS04FW-CS



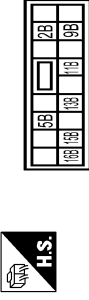
Terminal No.	Color Of Wire	Signal Name [Specification]
53	V	SEAT_HTR1
54	B	SEAT_HEATER1_GND(POWER)
55	GR	SEAT_HTR2
56	B	SEAT_HEATER2_GND(POWER)

Connector No.	M100
Connector Name	DISPLAY CONTROL UNIT
Connector Type	TH24FW-NH



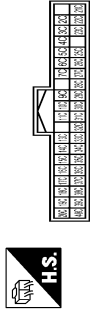
Terminal No.	Color Of Wire	Signal Name [Specification]
16	SB	AV COMM (L)
17	P	CANL
19	R	DIMMER SIGNAL
20	BR	REVERSE SIGNAL
22	B	GND
25	SB	-
26	BR	CAMERA SWITCH SIGNAL
28	LG	AV COMM (H)
29	L	CANH
30	R	IGN
31	R	VEHICLE SPEED SIGNAL (8-PULSE)
33	SB	ACC
34	Y	BAT

Connector No.	M132
Connector Name	FUSE BLOCK (J/B)
Connector Type	NS16FW-CS



Terminal No.	Color Of Wire	Signal Name [Specification]
11B	LG	-
13B	P	-
15B	Y	-
16B	Y	-
20	B	-
28	B	-
30	R	-
38	Y	-

Connector No.	M133
Connector Name	FUSE BLOCK (J/B)
Connector Type	TH40FW-NH



Terminal No.	Color Of Wire	Signal Name [Specification]
10C	V	-
11C	V	-
13C	L	-
14C	Y	-
15C	R	-
16C	R	-
17C	L	-
18C	BG	- [Without DRPO]
19C	P	- [With DRPO]
19C	B	-
20C	W	-
21C	L	-
22C	L	-

HEATED SEAT SYSTEM

< WIRING DIAGRAM >

A
B
C
D
E
F
G
H
I
K
L
M
N
O
P

SE

HEATED SEAT SYSTEM	
23C	L
25C	LG
26C	SB
27C	P
28C	W
29C	W
2C	R
30C	R
31C	W
32C	R
33C	B
34C	W/B
35C	SB
36C	R
37C	W
38C	SB
39C	V
3C	P
40C	G
4C	P
5C	P
6C	G
7C	G
9C	V

JRJWC8405GB

DIAGNOSIS AND REPAIR WORK FLOW

< BASIC INSPECTION >

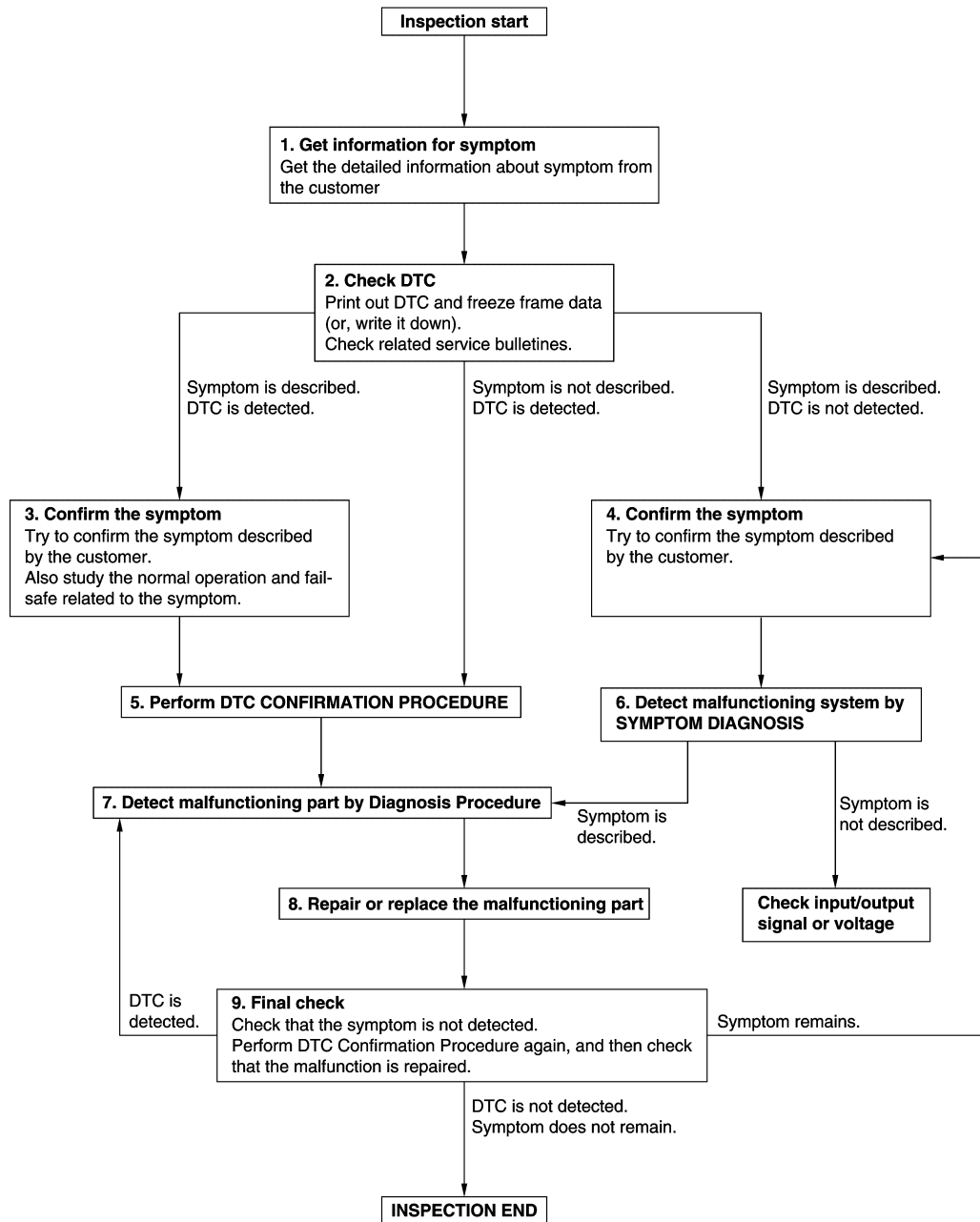
BASIC INSPECTION

DIAGNOSIS AND REPAIR WORK FLOW

Work Flow

INFOID:000000011285084

OVERALL SEQUENCE



JMKIA8652GB

DETAILED FLOW

DIAGNOSIS AND REPAIR WORK FLOW

< BASIC INSPECTION >

1. GET INFORMATION FOR SYMPTOM

1. Get detailed information from the customer about the symptom (the condition and the environment when the incident/malfunction occurs).
2. Check operation condition of the function that is malfunctioning.

>> GO TO 2.

2. CHECK DTC

1. Check DTC.
2. Perform the following procedure if DTC is detected.
 - Record DTC and freeze frame data (Print them out using CONSULT.)
 - Erase DTC.
 - Study the relationship between the cause detected by DTC and the symptom described by the customer.
3. Check related service bulletins for information.

Are any symptoms described and any DTC detected?

Symptom is described, DTC is detected>>GO TO 3.

Symptom is described, DTC is not detected>>GO TO 4.

Symptom is not described, DTC is detected>>GO TO 5.

3. CONFIRM THE SYMPTOM

Try to confirm the symptom described by the customer.

Also study the normal operation and fail-safe related to the symptom.

Verify relation between the symptom and the condition when the symptom is detected.

>> GO TO 5.

4. CONFIRM THE SYMPTOM

Try to confirm the symptom described by the customer.

Verify relation between the symptom and the condition when the symptom is detected.

>> GO TO 6.

5. PERFORM DTC CONFIRMATION PROCEDURE

Perform DTC CONFIRMATION PROCEDURE for the detected DTC, and then check that DTC is detected again. At this time, always connect CONSULT to the vehicle, and check self diagnostic results in real time. If two or more DTCs are detected, refer to [HAC-37, "DTC Index"](#) and determine trouble diagnosis order.

NOTE:

- Freeze frame data is useful if the DTC is not detected.
- Perform Component Function Check if DTC CONFIRMATION PROCEDURE is not included on Service Manual. This simplified check procedure is an effective alternative though DTC cannot be detected during this check.

If the result of Component Function Check is NG, it is the same as the detection of DTC by DTC CONFIRMATION PROCEDURE.

Is DTC detected?

YES >> GO TO 7.

NO >> Check according to [GI-42, "Intermittent Incident"](#).

6. DETECT MALFUNCTIONING SYSTEM BY SYMPTOM DIAGNOSIS

Detect malfunctioning system according to SYMPTOM DIAGNOSIS based on the confirmed symptom in step 4, and determine the trouble diagnosis order based on possible causes and symptom.

Is the symptom described?

YES >> GO TO 7.

NO >> Monitor input data from related sensors or check voltage of related module terminals using CONSULT.

7. DETECT MALFUNCTIONING PART BY DIAGNOSIS PROCEDURE

Inspect according to Diagnosis Procedure of the system.

A
B
C
D
E
F
G
H
I
K
L
M
N
O
P

SE

DIAGNOSIS AND REPAIR WORK FLOW

< BASIC INSPECTION >

Is malfunctioning part detected?

YES >> GO TO 8.

NO >> Check according to [GI-42. "Intermittent Incident"](#).

8. REPAIR OR REPLACE THE MALFUNCTIONING PART

1. Repair or replace the malfunctioning part.
2. Reconnect parts or connectors disconnected during Diagnosis Procedure again after repair and replacement.
3. Check DTC. If DTC is detected, erase it.

>> GO TO 9.

9. FINAL CHECK

When DTC is detected in step 2, perform DTC CONFIRMATION PROCEDURE again, and then check that the malfunction is repaired securely.

When symptom is described by the customer, refer to confirmed symptom in step 3 or 4, and check that the symptom is not detected.

Is DTC detected and does symptom remain?

YES-1 >> DTC is detected: GO TO 7.

YES-2 >> Symptom remains: GO TO 4.

NO >> Before returning the vehicle to the customer, always erase DTC.

B277E HEAT SENSOR

< DTC/CIRCUIT DIAGNOSIS >

DTC/CIRCUIT DIAGNOSIS

B277E HEAT SENSOR

DTC Description

INFOID:0000000011285085

DTC DETECTION LOGIC

DTC No.	CONSULT screen items (Trouble diagnosis content)	DTC detecting condition
B277E	HEAT SENSOR (DRIVER SIDE) [Heat sensor (driver side)]	Heat sensor (driver side) signal voltage is too high.

POSSIBLE CAUSE

- Harness or connectors
(Heat sensor signal circuit is short.)
- Seat cushion trim
- A/C auto amp.

FAIL-SAFE

—

DTC CONFIRMATION PROCEDURE

1.PERFORM DTC CONFIRMATION PROCEDURE

1. Turn ignition switch ON.
2. Turn heated seat switch ON.
3. Check DTC in "Self Diagnostic Result" mode of "A/C auto amp" using CONSULT.

Is DTC detected?

- YES >> Refer to [SE-53. "Diagnosis Procedure"](#).
- NO-1 >> To check malfunction symptom before repair: Refer to [GI-42. "Intermittent Incident"](#).
- NO-2 >> Confirmation after repair: INSPECTION END

Diagnosis Procedure

INFOID:0000000011285086

1.CHECK HEAT SENSOR SIGNAL

Check voltage between A/C auto amp. harness connector and ground.

(+)		(-)	Condition	Voltage (Approx.)	
A/C auto amp.					
Connector	Terminal				
M89	46	Ground	Ignition switch	OFF	0 V
				ON	5 V

Is the inspection result normal?

- YES >> Replace A/C auto amp. Refer to [HAC-113. "Removal and Installation"](#).
- NO >> GO TO 2.

2.CHECK HEAT SENSOR SIGNAL CIRCUIT

1. Turn ignition switch OFF.
2. Disconnect A/C auto amp. connector and seat cushion heater connector.
3. Check continuity between A/C auto amp. harness connector and seat cushion heater harness connector.

A/C auto amp.		Seat cushion heater		Continuity
Connector	Terminal	Connector	Terminal	
M89	46	B612	46	Existed

4. Check continuity between A/C auto amp. harness connector and ground.

B277E HEAT SENSOR

< DTC/CIRCUIT DIAGNOSIS >

A/C auto amp.		Ground	Continuity
Connector	Terminal		
M89	46		Not existed

Is the inspection result normal?

- YES >> Replace seat cushion trim. Refer to [SE-86, "SEAT CUSHION : Disassembly and Assembly"](#).
NO >> Repair or replace harness.

B277F HEAT SENSOR

< DTC/CIRCUIT DIAGNOSIS >

B277F HEAT SENSOR

DTC Description

INFOID:000000011285087

DTC DETECTION LOGIC

DTC No.	CONSULT screen items (Trouble diagnosis content)	DTC detecting condition
B277F	HEAT SENSOR (DRIVER SIDE) [Heat sensor (driver side)]	Heat sensor (driver side) signal voltage is too low.

POSSIBLE CAUSE

- Harness or connectors
(Heat sensor signal circuit is open.)
- Seat cushion trim
- A/C auto amp.

FAIL-SAFE

—

DTC CONFIRMATION PROCEDURE

1. PERFORM DTC CONFIRMATION PROCEDURE

1. Turn ignition switch ON.
2. Turn heated seat switch ON.
3. Check DTC in "Self Diagnostic Result" mode of "A/C auto amp" using CONSULT.

Is DTC detected?

- YES >> Refer to [SE-55, "Diagnosis Procedure"](#).
- NO-1 >> To check malfunction symptom before repair: Refer to [GI-42, "Intermittent Incident"](#).
- NO-2 >> Confirmation after repair: INSPECTION END

Diagnosis Procedure

INFOID:000000011285088

1. CHECK HEAT SENSOR SIGNAL

Check voltage between A/C auto amp. harness connector and ground.

(+)		(-)	Condition	Voltage (Approx.)	
A/C auto amp.					
Connector	Terminal				
M89	46	Ground	Ignition switch	OFF	0 V
				ON	5 V

Is the inspection result normal?

- YES >> Replace A/C auto amp. Refer to [HAC-113, "Removal and Installation"](#).
- NO >> GO TO 2.

2. CHECK HEAT SENSOR SIGNAL CIRCUIT

1. Turn ignition switch OFF.
2. Disconnect A/C auto amp. connector and seat cushion heater connector.
3. Check continuity between A/C auto amp. harness connector and seat cushion heater harness connector.

A/C auto amp.		Seat cushion heater		Continuity
Connector	Terminal	Connector	Terminal	
M89	46	B612	46	Existed

4. Check continuity between A/C auto amp. harness connector and ground.

B277F HEAT SENSOR

< DTC/CIRCUIT DIAGNOSIS >

A/C auto amp.		Ground	Continuity
Connector	Terminal		
M89	46		Not existed

Is the inspection result normal?

- YES >> Replace seat cushion trim. Refer to [SE-86, "SEAT CUSHION : Disassembly and Assembly"](#).
NO >> Repair or replace harness.

B27AF HEAT SENSOR

< DTC/CIRCUIT DIAGNOSIS >

B27AF HEAT SENSOR

DTC Description

INFOID:000000011285089

DTC DETECTION LOGIC

DTC No.	CONSULT screen items (Trouble diagnosis content)	DTC detecting condition
B27AF	HEAT SENSOR (PASSENGER SIDE) [Heat sensor (passenger side)]	Heat sensor (passenger side) signal voltage is too high.

POSSIBLE CAUSE

- Harness or connectors
(Heat sensor signal circuit is short.)
- Seat heater cushion trim
- A/C auto amp.

FAIL-SAFE

—

DTC CONFIRMATION PROCEDURE

1.PERFORM DTC CONFIRMATION PROCEDURE

1. Turn ignition switch ON.
2. Turn heated seat switch ON.
3. Check DTC in "Self Diagnostic Result" mode of "A/C auto amp" using CONSULT.

Is DTC detected?

- YES >> Refer to [SE-57, "Diagnosis Procedure"](#).
- NO-1 >> To check malfunction symptom before repair: Refer to [GI-42, "Intermittent Incident"](#).
- NO-2 >> Confirmation after repair: INSPECTION END

Diagnosis Procedure

INFOID:000000011285090

1.CHECK HEAT SENSOR SIGNAL

Check voltage between A/C auto amp. harness connector and ground.

(+)		(-)	Condition	Voltage (Approx.)	
A/C auto amp.					
Connector	Terminal				
M89	45	Ground	Ignition switch	OFF	0 V
				ON	5 V

Is the inspection result normal?

- YES >> Replace A/C auto amp. Refer to [HAC-113, "Removal and Installation"](#).
- NO >> GO TO 2.

2.CHECK HEAT SENSOR SIGNAL CIRCUIT

1. Turn ignition switch OFF.
2. Disconnect A/C auto amp. connector and seat cushion heater connector.
3. Check continuity between A/C auto amp. harness connector and seat cushion heater harness connector.

A/C auto amp.		Seat cushion heater		Continuity
Connector	Terminal	Connector	Terminal	
M89	45	B619	46	Existed

4. Check continuity between A/C auto amp. harness connector and ground.

B27AF HEAT SENSOR

< DTC/CIRCUIT DIAGNOSIS >

A/C auto amp.		Ground	Continuity
Connector	Terminal		
M89	45		Not existed

Is the inspection result normal?

- YES >> Replace seat cushion trim. Refer to [SE-86, "SEAT CUSHION : Disassembly and Assembly"](#).
NO >> Repair or replace harness.

B27CF HEAT SENSOR

< DTC/CIRCUIT DIAGNOSIS >

B27CF HEAT SENSOR

DTC Description

INFOID:000000011285091

DTC DETECTION LOGIC

DTC No.	CONSULT screen items (Trouble diagnosis content)	DTC detecting condition
B27CF	HEAT SENSOR (PASSENGER SIDE) [Heat sensor (passenger side)]	Heat sensor (passenger side) signal voltage is too low.

POSSIBLE CAUSE

- Harness or connectors
(Heat sensor signal circuit is open.)
- Seat cushion trim
- A/C auto amp.

FAIL-SAFE

—

DTC CONFIRMATION PROCEDURE

1. PERFORM DTC CONFIRMATION PROCEDURE

1. Turn ignition switch ON.
2. Turn heated seat switch ON.
3. Check DTC in "Self Diagnostic Result" mode of "A/C auto amp" using CONSULT.

Is DTC detected?

- YES >> Refer to [SE-59, "Diagnosis Procedure"](#).
 NO-1 >> To check malfunction symptom before repair: Refer to [GI-42, "Intermittent Incident"](#).
 NO-2 >> Confirmation after repair: INSPECTION END

Diagnosis Procedure

INFOID:000000011285092

1. CHECK HEAT SENSOR SIGNAL

Check voltage between A/C auto amp. harness connector and ground.

(+)		(-)	Condition	Voltage (Approx.)	
A/C auto amp.					
Connector	Terminal				
M89	45	Ground	Ignition switch	OFF	0 V
				ON	5 V

Is the inspection result normal?

- YES >> Replace A/C auto amp. Refer to [HAC-113, "Removal and Installation"](#).
 NO >> GO TO 2.

2. CHECK HEAT SENSOR SIGNAL CIRCUIT

1. Turn ignition switch OFF.
2. Disconnect A/C auto amp. connector and seat cushion heater connector.
3. Check continuity between A/C auto amp. harness connector and seat cushion heater harness connector.

A/C auto amp.		Seat cushion heater		Continuity
Connector	Terminal	Connector	Terminal	
M89	45	B619	46	Existed

4. Check continuity between A/C auto amp. harness connector and ground.

B27CF HEAT SENSOR

< DTC/CIRCUIT DIAGNOSIS >

A/C auto amp.		Ground	Continuity
Connector	Terminal		
M89	45		Not existed

Is the inspection result normal?

- YES >> Replace seat cushion trim. Refer to [SE-86, "SEAT CUSHION : Disassembly and Assembly"](#).
NO >> Repair or replace harness.

HEATED SEAT RELAY

< DTC/CIRCUIT DIAGNOSIS >

HEATED SEAT RELAY

Component Function Check

INFOID:000000011285093

1. CHECK HEATED SEAT RELAY FUNCTION

Check that heated seat warms to preset temperature when operating heated seat switch to the optimal position.

Is the inspection result normal?

- YES >> INSPECTION END
NO >> Refer to [SE-61. "Diagnosis Procedure"](#)

Diagnosis Procedure

INFOID:000000011285094

1. CHECK HEATED SEAT RELAY POWER SUPPLY

1. Turn ignition switch OFF.
2. Disconnect heated seat relay.
3. Turn ignition switch ON.
4. Check voltage between heated seat relay terminal connector and ground.

(+)		(-)	Voltage
Heated seat relay			
Connector	Terminal	Ground	Battery voltage
M46	2		

Is the inspection result normal?

- YES >> GO TO 3.
NO >> GO TO 2.

2. CHECK HEATED SEAT RELAY POWER SUPPLY CIRCUIT

1. Turn ignition switch OFF.
2. Disconnect fuse block (J/B) connector.
3. Check continuity between heated seat relay terminal connector and fuse block (J/B) harness connector.

Heated seat relay		Fuse block (J/B)		Continuity
Connector	Terminal	Connector	Terminal	
M46	2	M133	30C	Existed

4. Check continuity between heated seat relay terminal connector and ground.

Heated seat relay		Ground	Continuity
Connector	Terminal		
M46	2		Not existed

Is the inspection result normal?

- YES >> Check 5 A fuse [No.14, located in the fuse block (J/B)]
NO >> Repair or replace harness.

3. CHECK HEATED SEAT RELAY GROUND CIRCUIT

1. Turn ignition switch OFF.
2. Check continuity between heated seat relay terminal connector and ground.

Heated seat relay		Ground	Continuity
Connector	Terminal		
M46	1		Existed

Is the inspection result normal?

- YES >> GO TO 4.

HEATED SEAT RELAY

< DTC/CIRCUIT DIAGNOSIS >

NO >> Repair or replace harness.

4.CHECK HEATED SEAT RELAY

Check heated seat relay.

Refer to [SE-62, "Component Inspection"](#).

Is the inspection result normal?

YES >> GO TO 5.

NO >> Replace heated seat relay.

5.CHECK INTERMITTENT INCIDENT

Check intermittent incident.

Refer to [GI-42, "Intermittent Incident"](#).

>> INSPECTION END

Component Inspection

INFOID:000000011285095

1.CHECK HEATED SEAT RELAY

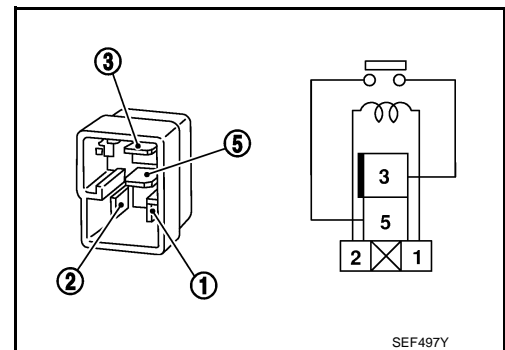
1. Turn ignition switch OFF.
2. Disconnect heated seat relay.
3. Check continuity between heated seat relay terminals.

Terminal	Condition	Continuity	
③	⑤	12 V direct current supply between terminals ① and ②.	Existed
		No current supply	Not existed

Is the inspection result normal?

YES >> INSPECTION END

NO >> Replace heated seat relay.



SEF497Y

SEAT CUSHION HEATER

< DTC/CIRCUIT DIAGNOSIS >

SEAT CUSHION HEATER DRIVER SIDE

DRIVER SIDE : Component Function Check

INFOID:000000011285096

1.CHECK FUNCTION

Check that heated seat warms to preset temperature when operating heated seat switch to the optimal position.

Is the inspection result normal?

- YES >> Seat cushion heater function is OK.
NO >> Refer to [SE-63, "DRIVER SIDE : Diagnosis Procedure"](#).

DRIVER SIDE : Diagnosis Procedure

INFOID:000000011285097

1.CHECK SEAT CUSHION HEATER POWER SUPPLY

Check voltage between seat cushion heater harness connector and ground.

(+)		(-)	Condition		Voltage (Approx.)
Seat cushion heater					
Connector	Terminal				
B612	45	Ground	Ignition switch	ON	Battery voltage
				Other than above	0 V

Is the inspection result normal?

- YES >> GO TO 3.
NO >> GO TO 2.

2.CHECK SEAT CUSHION HEATER CIRCUIT

- Turn ignition switch OFF.
- Disconnect seat cushion heater connector and heated seat relay connector.
- Check continuity between seat cushion heater harness connector and heated seat relay harness connector.

Seat cushion heater		Heated seat relay		Continuity
Connector	Terminal	Connector	Terminal	
B612	45	M46	3	Existed

- Check continuity between seat cushion heater harness connector and ground.

Seat cushion heater		Ground	Continuity
Connector	Terminal		
B612	45		Not existed

Is the inspection result normal?

- YES >> Replace heated seat relay.
NO >> Repair or replace harness.

3.CHECK SEAT CUSHION HEATER CONTROL SIGNAL

Check voltage between seat cushion heater harness connector and ground.

(+)		(-)	Condition		Voltage (Approx.)
Seat cushion heater					
Connector	Terminal				
B612	48	Ground	Heated seat system	Operated	0 V
				Not operated	Battery voltage

SEAT CUSHION HEATER

< DTC/CIRCUIT DIAGNOSIS >

Is the inspection result normal?

- YES >> Replace seat cushion trim. Refer to [SE-86, "SEAT CUSHION : Disassembly and Assembly"](#)
 NO >> GO TO 4.

4.CHECK SEAT CUSHION HEATER CONTROL SIGNAL CIRCUIT

1. Turn ignition switch OFF.
2. Disconnect seat cushion heater connector and A/C auto amp. connector.
3. Check continuity between seat cushion heater harness connector and A/C auto amp. harness connector.

Seat cushion heater		A/C auto amp.		Continuity
Connector	Terminal	Connector	Terminal	
B612	48	M90	55	Existed

4. Check continuity between seat cushion heater harness connector and ground.

Seat cushion heater		Ground	Continuity
Connector	Terminal		
B612	48		Not existed

Is the inspection result normal?

- YES >> Replace A/C auto amp. Refer to [HAC-113, "Removal and Installation"](#).
 NO >> Repair or replace harness.

PASSENGER SIDE

PASSENGER SIDE : Component Function Check

INFOID:000000011285098

1.CHECK FUNCTION

Check that heated seat warms to preset temperature when operating heated seat switch to the optimal position.

Is the inspection result normal?

- YES >> Seat cushion heater function is OK.
 NO >> Refer to [SE-64, "PASSENGER SIDE : Diagnosis Procedure"](#).

PASSENGER SIDE : Diagnosis Procedure

INFOID:000000011285099

1.CHECK SEAT CUSHION HEATER POWER SUPPLY

Check voltage between seat cushion heater harness connector and ground.

(+)		(-)	Condition	Voltage (Approx.)
Seat cushion heater				
Connector	Terminal			
B619	45	Ground	Ignition switch	ON Battery voltage
			Other than above	0 V

Is the inspection result normal?

- YES >> GO TO 3.
 NO >> GO TO 2.

2.CHECK SEAT CUSHION HEATER CIRCUIT

1. Turn ignition switch OFF.
2. Disconnect seat cushion heater connector and heated seat relay connector.
3. Check continuity between seat cushion heater harness connector and heated seat relay harness connector.

SEAT CUSHION HEATER

< DTC/CIRCUIT DIAGNOSIS >

Seat cushion heater		Heated seat relay		Continuity
Connector	Terminal	Connector	Terminal	
B619	45	M46	3	Existed

4. Check continuity between seat cushion heater harness connector and ground.

Seat cushion heater		Ground	Continuity
Connector	Terminal		
B619	45		Not existed

Is the inspection result normal?

- YES >> Replace heated seat relay.
 NO >> Repair or replace harness.

3. CHECK SEAT CUSHION HEATER CONTROL SIGNAL

Check voltage between seat cushion heater harness connector and ground.

(+)		(-)	Condition		Voltage (Approx.)
Seat cushion heater					
Connector	Terminal				
B619	48	Ground	Heated seat system	Operated	0 V
				Not operated	Battery voltage

Is the inspection result normal?

- YES >> Replace seat cushion trim. Refer to [SE-86. "SEAT CUSHION : Disassembly and Assembly"](#)
 NO >> GO TO 4.

4. CHECK SEAT CUSHION HEATER CONTROL SIGNAL CIRCUIT

- Turn ignition switch OFF.
- Disconnect seat cushion heater connector and A/C auto amp. connector.
- Check continuity between seat cushion heater harness connector and A/C auto amp. harness connector.

Seat cushion heater		A/C auto amp.		Continuity
Connector	Terminal	Connector	Terminal	
B619	48	M90	53	Existed

4. Check continuity between seat cushion heater harness connector and ground.

Seat cushion heater		Ground	Continuity
Connector	Terminal		
B619	48		Not existed

Is the inspection result normal?

- YES >> Replace A/C auto amp. Refer to [HAC-113. "Removal and Installation"](#).
 NO >> Repair or replace harness.

A
B
C
D
E
F
G
H
I
K
L
M
N
O
P

SE

SEATBACK HEATER

< DTC/CIRCUIT DIAGNOSIS >

SEATBACK HEATER DRIVER SIDE

DRIVER SIDE : Component Function Check

INFOID:0000000011285100

1.CHECK SEATBACK HEATER FUNCTION

Check that heated seat warms to preset temperature when operating heated seat switch to the optimal position.

Is the inspection result normal?

YES >> INSPECTION END

NO >> Refer to [SE-66, "DRIVER SIDE : Diagnosis Procedure"](#).

DRIVER SIDE : Diagnosis Procedure

INFOID:0000000011285101

1.CHECK SEATBACK HEATER POWER SUPPLY

Check voltage between seatback heater harness connector and ground.

(+)		(-)	Condition	Voltage (Approx.)
Connector	Terminal			
B630	2	Ground	Ignition switch	ON Battery voltage
				Other than above 0 V

Is the inspection result normal?

YES >> GO TO 2.

NO >> Replace seat cushion trim. Refer to [SE-86, "SEAT CUSHION : Disassembly and Assembly"](#).

2.CHECK SEATBACK HEATER CONTROL SIGNAL CIRCUIT

1. Turn ignition switch OFF.
2. Disconnect seatback heater connector and seat cushion heater connector.
3. Check continuity between seatback heater harness connector and seat cushion heater harness connector.

Seatback heater		Seat cushion heater		Continuity
Connector	Terminal	Connector	Terminal	
B630	1	B612	48	Existed

4. Check continuity between seatback heater harness connector and ground.

Seatback heater		Ground	Continuity
Connector	Terminal		
B630	1		Not existed

Is the inspection result normal?

YES >> Replace seatback trim. Refer to [SE-81, "SEATBACK : Disassembly and Assembly"](#).

NO >> Replace seat cushion trim. Refer to [SE-86, "SEAT CUSHION : Disassembly and Assembly"](#).

PASSENGER SIDE

PASSENGER SIDE : Component Function Check

INFOID:0000000011285102

1.CHECK SEATBACK HEATER FUNCTION

Check that heated seat warms to preset temperature when operating heated seat switch to the optimal position.

Is the inspection result normal?

YES >> INSPECTION END

NO >> Refer to [SE-67, "PASSENGER SIDE : Diagnosis Procedure"](#).

SEATBACK HEATER

< DTC/CIRCUIT DIAGNOSIS >

PASSENGER SIDE : Diagnosis Procedure

INFOID:000000011285103

1. CHECK SEATBACK HEATER POWER SUPPLY

Check voltage between seatback heater harness connector and ground.

(+)		(-)	Condition	Voltage (Approx.)	
Seatback heater					
Connector	Terminal				
B632	2	Ground	Ignition switch	ON	Battery voltage
				Other than above	0 V

Is the inspection result normal?

YES >> GO TO 2.

NO >> Replace seat cushion trim. Refer to [SE-86, "SEAT CUSHION : Disassembly and Assembly"](#).

2. CHECK SEATBACK HEATER CONTROL SIGNAL CIRCUIT

- Turn ignition switch OFF.
- Disconnect seatback heater connector and seat cushion heater connector.
- Check continuity between seatback heater harness connector and seat cushion heater harness connector.

Seatback heater		Seat cushion heater		Continuity
Connector	Terminal	Connector	Terminal	
B632	1	B619	48	Existed

- Check continuity between seatback heater harness connector and ground.

Seatback heater		Ground	Continuity
Connector	Terminal		
B632	1		Not existed

Is the inspection result normal?

YES >> Replace seatback trim. Refer to [SE-81, "SEATBACK : Disassembly and Assembly"](#).

NO >> Replace seat cushion trim. Refer to [SE-86, "SEAT CUSHION : Disassembly and Assembly"](#).

HEATED SEAT DOES NOT OPERATE

< SYMPTOM DIAGNOSIS >

SYMPTOM DIAGNOSIS

HEATED SEAT DOES NOT OPERATE

Diagnosis Procedure

INFOID:000000011285104

1. CHECK HEATED SEAT RELAY

Check heated seat relay.

Refer to [SE-61, "Component Function Check"](#).

Is the inspection result normal?

YES >> GO TO 2.

NO >> Repair or replace the malfunctioning parts.

2. CHECK SEAT CUSHION HEATER

Check seat cushion heater.

Refer to [SE-63, "DRIVER SIDE : Component Function Check"](#) (driver side) or [SE-64, "PASSENGER SIDE : Component Function Check"](#) (passenger side).

Is the inspection result normal?

YES >> GO TO 3.

NO >> Repair or replace the malfunctioning parts.

3. CHECK SEATBACK HEATER

Check seatback heater.

Refer to [SE-66, "DRIVER SIDE : Component Function Check"](#) (driver side) or [SE-66, "PASSENGER SIDE : Component Function Check"](#) (passenger side).

Is the inspection result normal?

YES >> GO TO 4.

NO >> Repair or replace the malfunctioning parts.

4. REPLACE A/C AUTO AMP.

Replace A/C auto amp. Refer to [HAC-113, "Removal and Installation"](#).

Is the inspection result normal?

YES >> INSPECTION END

NO >> Check intermittent incident. Refer to [GI-42, "Intermittent Incident"](#).

STEERING POSITION FUNCTION DOES NOT OPERATE

< SYMPTOM DIAGNOSIS >

STEERING POSITION FUNCTION DOES NOT OPERATE

Diagnosis Procedure

INFOID:000000011285105

1. CHECK AUTOMATIC DRIVE POSITIONER CONTROL UNIT POWER SUPPLY AND GROUND CIRCUIT

Check automatic drive positioner control unit power supply and ground circuit.

Refer to [ADP-75, "AUTOMATIC DRIVE POSITIONER CONTROL UNIT : Diagnosis Procedure"](#).

Is the inspection result normal?

YES >> GO TO 2.

NO >> Repair or replace the malfunctioning parts.

2. CHECK TILT SWITCH

Check tilt switch.

Refer to [ADP-85, "Component Function Check"](#).

Is the inspection result normal?

YES >> GO TO 3.

NO >> Repair or replace the malfunctioning parts.

3. CHECK TELESCOPIC SWITCH

Check telescopic switch.

Refer to [ADP-87, "Component Function Check"](#).

Is the inspection result normal?

YES >> GO TO 4.

NO >> Repair or replace the malfunctioning parts.

4. CHECK TILT SENSOR

Check tilt sensor.

Refer to [ADP-105, "Component Function Check"](#).

Is the inspection result normal?

YES >> GO TO 5.

NO >> Repair or replace the malfunctioning parts.

5. CHECK TELESCOPIC SENSOR

Check telescopic sensor.

Refer to [ADP-108, "Component Function Check"](#).

Is the inspection result normal?

YES >> GO TO 6.

NO >> Repair or replace the malfunctioning parts.

6. REPLACE AUTOMATIC DRIVE POSITIONER CONTROL UNIT

Replace automatic drive positioner control unit. Refer to [ADP-146, "Removal and Installation"](#).

Is the inspection result normal?

YES >> INSPECTION END

NO >> GO TO 7.

7. REPLACE DRIVER SEAT CONTROL UNIT

Replace driver seat control unit. Refer to [ADP-145, "Removal and Installation"](#).

Is the inspection result normal?

YES >> INSPECTION END

NO >> Check intermittent incident. Refer to [GI-42, "Intermittent Incident"](#).

A
B
C
D
E
F
G
H
I
K
L
M
N
O
P

SE

TILT FUNCTION DOES NOT OPERATE

< SYMPTOM DIAGNOSIS >

TILT FUNCTION DOES NOT OPERATE

Diagnosis Procedure

INFOID:000000011285106

1.CHECK TILT SWITCH

Check tilt switch.

Refer to [ADP-85, "Component Function Check"](#).

Is the inspection result normal?

YES >> GO TO 2.

NO >> Repair or replace the malfunctioning parts.

2.CHECK TILT MOTOR

Check tilt motor.

Refer to [ADP-123, "Component Function Check"](#).

Is the inspection result normal?

YES >> GO TO 3.

NO >> Repair or replace the malfunctioning parts.

3.CHECK TILT SENSOR

Check tilt sensor.

Refer to [ADP-105, "Component Function Check"](#).

Is the inspection result normal?

YES >> GO TO 4.

NO >> Repair or replace the malfunctioning parts.

4.CONFIRM THE OPERATION

Confirm the operation again.

Is the inspection result normal?

YES >> Check intermittent incident. Refer to [GI-42, "Intermittent Incident"](#).

NO >> GO TO 1.

TELESCOPIC FUNCTION DOES NOT OPERATE

< SYMPTOM DIAGNOSIS >

TELESCOPIC FUNCTION DOES NOT OPERATE

Diagnosis Procedure

INFOID:000000011285107

1.CHECK TELESCOPIC SWITCH

Check telescopic switch.

Refer to [ADP-87, "Component Function Check"](#).

Is the inspection result normal?

YES >> GO TO 2.

NO >> Repair or replace the malfunctioning parts.

2.CHECK TELESCOPIC MOTOR

Check telescopic motor.

Refer to [ADP-125, "Component Function Check"](#).

Is the inspection result normal?

YES >> GO TO 3.

NO >> Repair or replace the malfunctioning parts.

3.CHECK TELESCOPIC SENSOR

Check telescopic sensor.

Refer to [ADP-108, "Component Function Check"](#).

Is the inspection result normal?

YES >> GO TO 4.

NO >> Repair or replace the malfunctioning parts.

4.CONFIRM THE OPERATION

Confirm the operation again.

Is the inspection result normal?

YES >> Check intermittent incident. Refer to [GI-42, "Intermittent Incident"](#).

NO >> GO TO 1.

A
B
C
D
E
F
G
H
I
K
L
M
N
O
P

SE

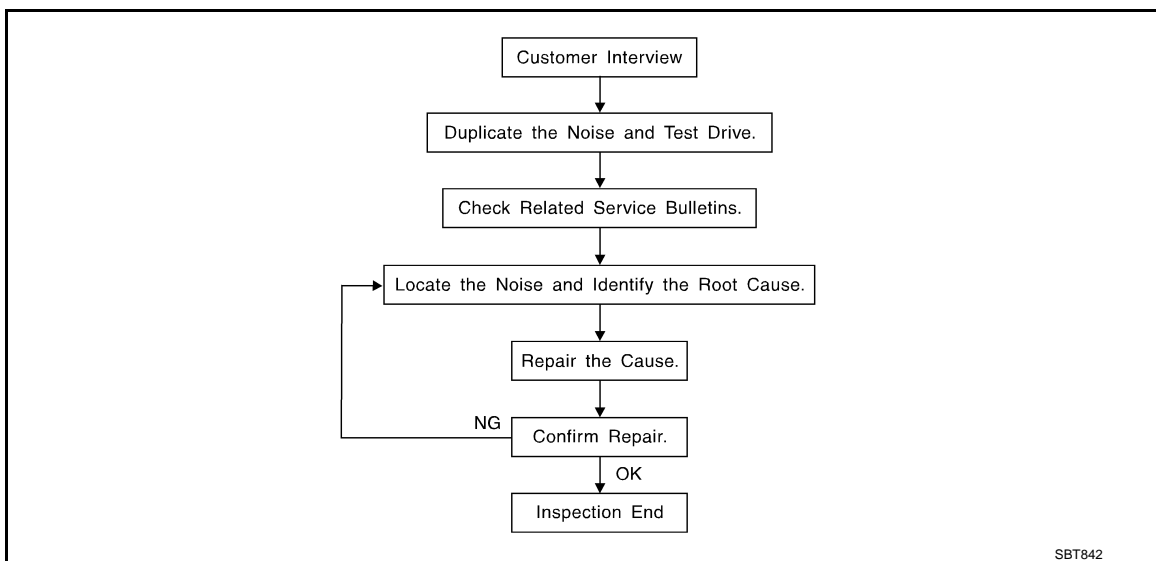
SQUEAK AND RATTLE TROUBLE DIAGNOSES

< SYMPTOM DIAGNOSIS >

SQUEAK AND RATTLE TROUBLE DIAGNOSES

Work Flow

INFOID:000000011285108



CUSTOMER INTERVIEW

Interview the customer if possible, to determine the conditions that exist when the noise occurs. Use the Diagnostic Worksheet during the interview to document the facts and conditions when the noise occurs and any of customer's comments; refer to [SE-76, "Diagnostic Worksheet"](#). This information is necessary to duplicate the conditions that exist when the noise occurs.

- The customer may not be able to provide a detailed description or the location of the noise. Attempt to obtain all the facts and conditions that exist when the noise occurs (or does not occur).
- If there is more than one noise in the vehicle, perform a diagnosis and repair the noise that the customer is concerned about. This can be accomplished by performing a cruise test on the vehicle with the customer.
- After identifying the type of noise, isolate the noise in terms of its characteristics. The noise characteristics are provided so the customer, service adviser and technician are all speaking the same language when defining the noise.
- Squeak – (Like tennis shoes on a clean floor)
Squeak characteristics include the light contact/fast movement/brought on by road conditions/hard surfaces = higher pitch noise/softer surfaces = lower pitch noises/edge to surface = chirping
- Creak – (Like walking on an old wooden floor)
Creak characteristics include firm contact/slow movement/twisting with a rotational movement/pitch dependent on materials/often brought on by activity.
- Rattle – (Like shaking a baby rattle)
Rattle characteristics include the fast repeated contact/vibration or similar movement/loose parts/missing clip or fastener/incorrect clearance.
- Knock – (Like a knock on a door)
Knock characteristics include hollow sounding/sometimes repeating/often brought on by driver action.
- Tick – (Like a clock second hand)
Tick characteristics include gentle contacting of light materials/loose components/can be caused by driver action or road conditions.
- Thump – (Heavy, muffled knock noise)
Thump characteristics include softer knock/dead sound often brought on by activity.
- Buzz – (Like a bumblebee)
Buzz characteristics include high frequency rattle/firm contact.
- Often the degree of acceptable noise level will vary depending up on the person. A noise that a technician may judge as acceptable may be very irritating to the customer.
- Weather conditions, especially humidity and temperature, may have a great effect on noise level.

DUPLICATE THE NOISE AND TEST DRIVE

If possible, drive the vehicle with the customer until the noise is duplicated. Note any additional information on the Diagnostic Worksheet regarding the conditions or location of the noise. This information can be used to duplicate the same conditions when the repair is reconfirmed.

SQUEAK AND RATTLE TROUBLE DIAGNOSES

< SYMPTOM DIAGNOSIS >

If the noise can be duplicated easily during the test drive, to help identify the source of the noise, try to duplicate the noise with the vehicle stopped by doing one or all of the following:

- 1) Close a door.
 - 2) Tap or push/pull around the area where the noise appears to be coming from.
 - 3) Rev the engine.
 - 4) Use a floor jack to recreate vehicle "twist".
 - 5) At idle, apply engine load (electrical load, half-clutch on M/T models, drive position on A/T models).
 - 6) Raise the vehicle on a hoist and hit a tire with a rubber hammer.
- Drive the vehicle and attempt to duplicate the conditions the customer states exist when the noise occurs.
 - If it is difficult to duplicate the noise, drive the vehicle slowly on an undulating or rough road to stress the vehicle body.

CHECK RELATED SERVICE BULLETINS

After verifying the customer concern or symptom, check ASIST for Technical Service Bulletins (TSBs) related to that concern or symptom.

If a TSB relates to the symptom, follow the procedure to repair the noise.

LOCATE THE NOISE AND IDENTIFY THE ROOT CAUSE

1. Narrow down the noise to a general area. To help pinpoint the source of the noise, use a listening tool (Chassis ear: J-39570, Engine ear and mechanics stethoscope).
2. Narrow down the noise to a more specific area and identify the cause of the noise by:
 - Removing the components in the area that is are suspected to be the cause of the noise.
Do not use too much force when removing clips and fasteners, otherwise clips and fastener can be broken or lost during the repair, resulting in the creation of new noise.
 - Tapping or pushing/pulling the component that is are suspected to be the cause of the noise.
Do not tap or push/pull the component with excessive force, otherwise the noise will be eliminated only temporarily.
 - Feeling for a vibration by hand by touching the component(s) that is are suspected to be the cause of the noise.
 - Placing a piece of paper between components that are suspected to be the cause of the noise.
 - Looking for loose components and contact marks.
Refer to [SE-74. "Inspection Procedure"](#).

REPAIR THE CAUSE

- If the cause is a loose component, tighten the component securely.
- If the cause is insufficient clearance between components:
 - Separate components by repositioning or loosening and retightening the component, if possible.
 - Insulate components with a suitable insulator such as urethane pads, foam blocks, felt cloth tape or urethane tape. A Nissan Squeak and Rattle Kit (J-50397) is available through the authorized Nissan Parts Department.

CAUTION:

Never use excessive force as many components are constructed of plastic and may be damaged.

NOTE:

Always check with the Parts Department for the latest parts information.

The following materials are contained in the Nissan Squeak and Rattle Kit (J-50397). are listed on the inside cover of the kit, and can each be ordered separately as needed.

URETHANE PADS [1.5 mm (0.059 in) thick]

Insulates connectors, harness, etc.

76268-9E005: 100 × 135 mm (3.94 × 5.31 in)/76884-71L01: 60 × 85 mm (2.36 × 3.35 in)/76884-71L02: 15 × 25 mm (0.59 × 0.98 in)

INSULATOR (Foam blocks)

Insulates components from contact. Can be used to fill space behind a panel.

73982-9E000: 45 mm (1.77 in) thick, 50 × 50 mm (1.97 × 1.97 in)/73982-

50Y00: 10 mm (0.39 in) thick, 50 × 50 mm (1.97 × 1.97 in)

INSULATOR (Light foam block)

80845-71L00: 30 mm (1.18 in) thick, 30 × 50 mm (1.18 × 1.97in)

FELT CLOTHTAPE

Used to insulate where movement does not occur. Ideal for instrument panel applications.

68370-4B000: 15 × 25 mm (0.59 × 0.98 in) pad/68239-13E00: 5 mm (0.20 in) wide tape roll

The following materials, not found in the kit, can also be used to repair squeaks and rattles.

UHMW (TEFLON) TAPE

SQUEAK AND RATTLE TROUBLE DIAGNOSES

< SYMPTOM DIAGNOSIS >

Insulates where slight movement is present. Ideal for instrument panel applications.

SILICONE GREASE

Used in place of UHMW tape that is be visible or does not fit. Will only last a few months.

SILICONE SPRAY

Used when grease cannot be applied.

DUCT TAPE

Used to eliminate movement.

CONFIRM THE REPAIR

Confirm that the cause of a noise is repaired by test driving the vehicle. Operate the vehicle under the same conditions as when the noise originally occurred. Refer to the notes on the Diagnostic Worksheet.

Inspection Procedure

INFOID:000000011285109

Refer to Table of Contents for specific component removal and installation information.

INSTRUMENT PANEL

Most incidents are caused by contact and movement between:

1. The cluster lid A and instrument panel
2. Acrylic lens and combination meter housing
3. Instrument panel to front pillar garnish
4. Instrument panel to windshield
5. Instrument panel mounting pins
6. Wiring harnesses behind the combination meter
7. A/C defroster duct and duct joint

These incidents can usually be located by tapping or moving the components to duplicate the noise or by pressing on the components while driving to stop the noise. Most of these incidents can be repaired by applying felt cloth tape or silicon spray (in hard to reach areas). Urethane pads can be used to insulate wiring harness.

CAUTION:

Never use silicone spray to isolate a squeak or rattle. If the area is saturated with silicone, the recheck of repair becomes impossible.

CENTER CONSOLE

Components to pay attention to include:

1. Shifter assembly cover to finisher
2. A/C control unit and cluster lid C
3. Wiring harnesses behind audio and A/C control unit

The instrument panel repair and isolation procedures also apply to the center console.

DOORS

Pay attention to the following:

1. Finisher and inner panel making a slapping noise
2. Inside handle escutcheon to door finisher
3. Wiring harnesses tapping
4. Door striker out of alignment causing a popping noise on starts and stops

Tapping or moving the components or pressing on them while driving to duplicate the conditions can isolate many of these incidents. The areas can usually be insulated with felt cloth tape or insulator foam blocks from the Nissan Squeak and Rattle Kit (J-50397) to repair the noise.

TRUNK

Trunk noises are often caused by a loose jack or loose items put into the trunk by the customer.

In addition look for the following:

1. Trunk lid dumpers out of adjustment
2. Trunk lid striker out of adjustment
3. The trunk lid torsion bars knocking together
4. A loose license plate or bracket

SQUEAK AND RATTLE TROUBLE DIAGNOSES

< SYMPTOM DIAGNOSIS >

Most of these incidents can be repaired by adjusting, securing or insulating the item(s) or component(s) causing the noise.

SUNROOF/HEADLINING

Noises in the sunroof/headlining area can often be traced to one of the following:

1. Sunroof lid, rail, linkage or seals making a rattle or light knocking noise
2. Sunvisor shaft shaking in the holder
3. Front or rear windshield touching headlining and squeaking

Again, pressing on the components to stop the noise while duplicating the conditions can isolate most of these incidents. Repairs usually consist of insulating with felt cloth tape.

SEATS

When isolating seat noise it's important to note the position the seats in and the load placed on the seat when the noise occurs. These conditions should be duplicated when verifying and isolating the cause of the noise.

Cause of seat noise include:

1. Headrest rods and holder
2. A squeak between the seat pad cushion and frame
3. The rear seatback lock and bracket

These noises can be isolated by moving or pressing on the suspected components while duplicating the conditions under which the noise occurs. Most of these incidents can be repaired by repositioning the component or applying urethane tape to the contact area.

UNDERHOOD

Some interior noise may be caused by components under the hood or on the engine wall. The noise is then transmitted into the passenger compartment.

Causes of transmitted underhood noise include:

1. Any component mounted to the engine wall
2. Components that pass through the engine wall
3. Engine wall mounts and connectors
4. Loose radiator mounting pins
5. Hood bumpers out of adjustment
6. Hood striker out of adjustment

These noises can be difficult to isolate since they cannot be reached from the interior of the vehicle. The best method is to secure, move or insulate one component at a time and test drive the vehicle. Also, engine RPM or load can be changed to isolate the noise. Repairs can usually be made by moving, adjusting, securing, or insulating the component causing the noise.

A
B
C
D
E
F
G
H
I
K
L
M
N
O
P

SE

SQUEAK AND RATTLE TROUBLE DIAGNOSES

< SYMPTOM DIAGNOSIS >

Diagnostic Worksheet

INFOID:000000011285110



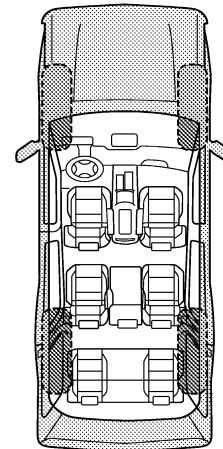
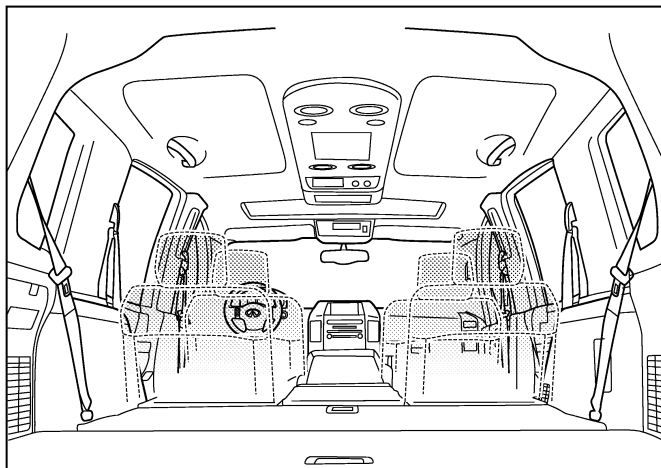
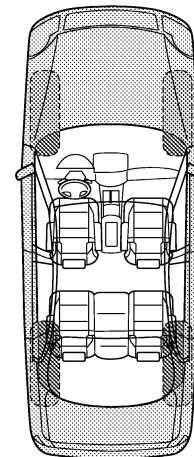
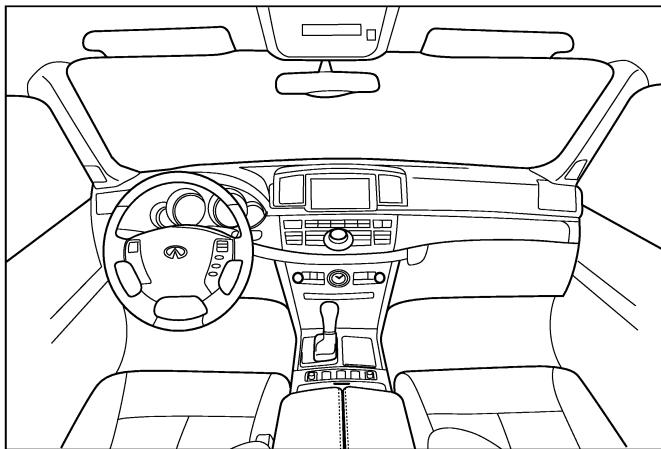
SQUEAK & RATTLE DIAGNOSTIC WORKSHEET

Dear Infiniti Customer:

We are concerned about your satisfaction with your Infiniti vehicle. Repairing a squeak or rattle sometimes can be very difficult. To help us fix your Infiniti right the first time, please take a moment to note the area of the vehicle where the squeak or rattle occurs and under what conditions. You may be asked to take a test drive with a service consultant or technician to ensure we confirm the noise you are hearing.

I. WHERE DOES THE NOISE COME FROM? (circle the area of the vehicle)

The illustrations are for reference only, and may not reflect the actual configuration of your vehicle.



Continue to page 2 of the worksheet and briefly describe the location of the noise or rattle. In addition, please indicate the conditions which are present when the noise occurs.

PIIB8741E

SQUEAK AND RATTLE TROUBLE DIAGNOSES

< SYMPTOM DIAGNOSIS >

SQUEAK & RATTLE DIAGNOSTIC WORKSHEET - page 2

Briefly describe the location where the noise occurs:

II. WHEN DOES IT OCCUR? (please check the boxes that apply)

- | | |
|---|--|
| <input type="checkbox"/> anytime | <input type="checkbox"/> after sitting out in the rain |
| <input type="checkbox"/> 1st time in the morning | <input type="checkbox"/> when it is raining or wet |
| <input type="checkbox"/> only when it is cold outside | <input type="checkbox"/> dry or dusty conditions |
| <input type="checkbox"/> only when it is hot outside | <input type="checkbox"/> other: |

III. WHEN DRIVING:

- through driveways
- over rough roads
- over speed bumps
- only about ____ mph
- on acceleration
- coming to a stop
- on turns: left, right or either (circle)
- with passengers or cargo
- other: _____
- after driving ____ miles or ____ minutes

IV. WHAT TYPE OF NOISE

- squeak (like tennis shoes on a clean floor)
- creak (like walking on an old wooden floor)
- rattle (like shaking a baby rattle)
- knock (like a knock at the door)
- tick (like a clock second hand)
- thump (heavy, muffled knock noise)
- buzz (like a bumble bee)

TO BE COMPLETED BY DEALERSHIP PERSONNEL

Test Drive Notes:

	YES	NO	Initials of person performing
Vehicle test driven with customer	<input type="checkbox"/>	<input type="checkbox"/>	_____
- Noise verified on test drive	<input type="checkbox"/>	<input type="checkbox"/>	_____
- Noise source located and repaired	<input type="checkbox"/>	<input type="checkbox"/>	_____
- Follow up test drive performed to confirm repair	<input type="checkbox"/>	<input type="checkbox"/>	_____

VIN: _____ Customer Name: _____
W.O.# _____ Date: _____

This form must be attached to Work Order

PIIB8742E

A
B
C
D
E
F
G
H
I
SE
K
L
M
N
O
P

FRONT SEAT

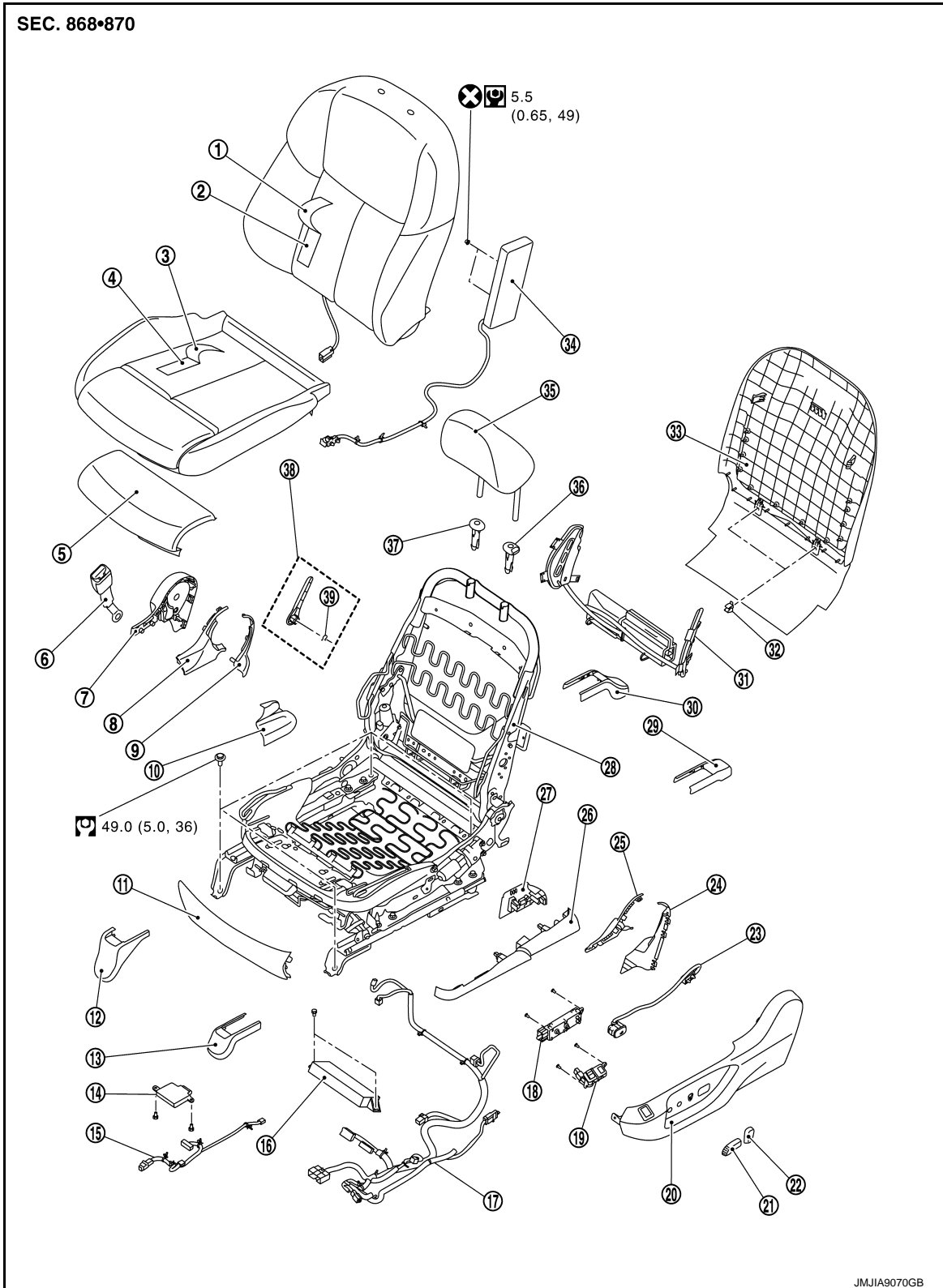
< REMOVAL AND INSTALLATION >

REMOVAL AND INSTALLATION

FRONT SEAT

Exploded View

INFOID:000000011285111



FRONT SEAT

< REMOVAL AND INSTALLATION >

- | | | | |
|---|--|---|---|
| ① Seatback trim | ② Seatback pad | ③ Seat cushion trim | A |
| ④ Seat cushion pad | ⑤ Forward pad | ⑥ Seat belt buckle * | A |
| ⑦ Seat cushion outside finisher inner side | ⑧ Seat cushion inside finisher inner side front | ⑨ Seat cushion inside finisher inner side rear | B |
| ⑩ Seat cushion lowside finisher inner side | ⑪ Seat cushion forward finisher | ⑫ Front leg cover inner side | B |
| ⑬ Front leg cover outer side | ⑭ Occupant detection system control unit | ⑮ ODS harness connector | C |
| ⑯ Driver seat control unit | ⑰ Harness assembly | ⑱ Power seat switch | C |
| ⑲ Side support switch | ⑳ Seat cushion outside finisher outer side | ㉑ Slide knob | D |
| ㉒ Reclining knob | ㉓ Lumber support switch | ㉔ Seat cushion inside finisher outer side rear | D |
| ㉕ Seat cushion inside finisher outer side front | ㉖ Seat cushion outside finisher outer side lower | ㉗ Seat cushion inside finisher outer side lower | E |
| ㉘ Seat frame | ㉙ Rear leg cover outer side | ㉚ Rear leg cover inner side | E |
| ㉛ side support assembly | ㉜ M-clip | ㉝ Seatback board | F |
| ㉞ Side air bag assembly | ㉟ Headrest | ㊱ Headrest holder (lock) | F |
| ㊲ Headrest holder (free) | ㊳ Lumber lever | ㊴ Snap ring | G |

⊗ : Always replace after every disassembly.

⊙ : N·m (kg-m, in-lb)

⊕ : N·m (kg-m, ft-lb)

*: Tighten together with seat belt buckle and tongue. Refer to [SB-8, "Exploded View"](#).

Removal and Installation

INFOID:000000011285112

DANGER:

- Before disconnect, push ignition switch OFF, disconnect battery negative terminal and then wait for at least 3 minutes (discharges electricity held in the additional power supply circuit of the air bag diagnosis sensor unit).
- Never use air tools or electric tools for servicing (prevents the air bag diagnosis sensor unit from activating unexpectedly due to vibration).
- Always work from the side of air bag module. Never work in front of it.
- To prevent accidental explosion, never insert any objects (screwdriver) into the side air bag module harness connector (for prevention of accidental activation of the inflator due to static electricity).

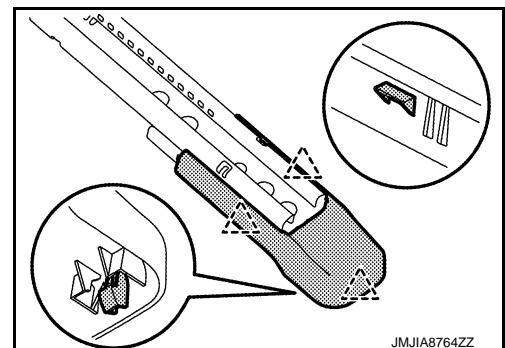
CAUTION:

When removing and installing, use shop cloths to protect parts from damage.

REMOVAL

1. Remove headrest.
2. Slide seat to the frontmost position.
3. Remove rear leg cover.
 - Disengage rear leg cover fixing pawls, and then remove rear leg cover.
 - Outer side

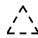
△ : Pawl

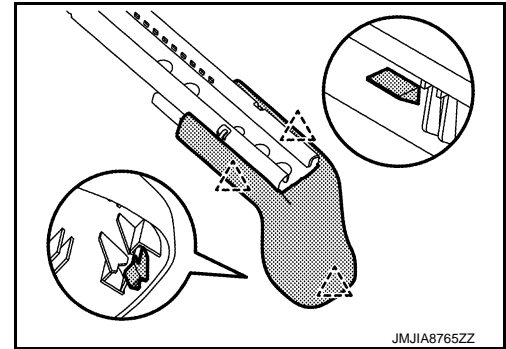


FRONT SEAT

< REMOVAL AND INSTALLATION >


- Inner side

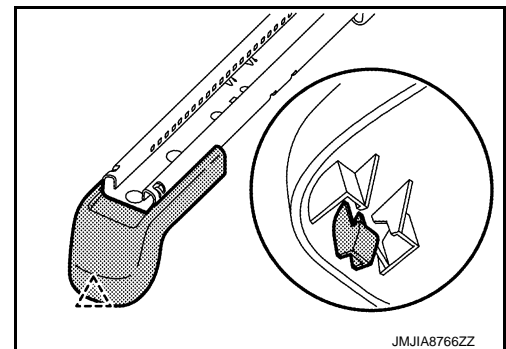
 : Pawl




4. Remove front seat rear fixing bolts.
5. Slide seat to the rearmost position.
6. Remove front leg cover.
Disengage front leg cover fixing pawl, and then remove front leg cover.

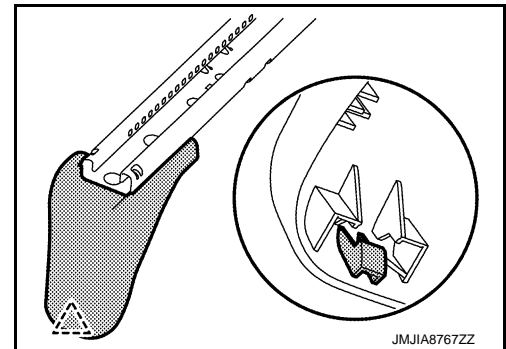
- Outer side

 : Pawl



- Inner side

 : Pawl



7. Remove front seat front fixing bolts.
8. Disconnect seat cushion lower harness connector, and harness fixing clips.

WARNING:

Before disconnect, turn ignition switch OFF, disconnect battery negative terminal and then wait for at least 3 minutes (discharges electricity held in the additional power supply circuit of the air bag diagnosis sensor unit).

CAUTION:

Before performing removal operation, check the installation position of harness connectors and harness fixing clamps.

NOTE:

When removing the seat cushion or seat cushion finisher, move the seat lifter to the highest level.

9. Remove front seat from the vehicle.

INSTALLATION

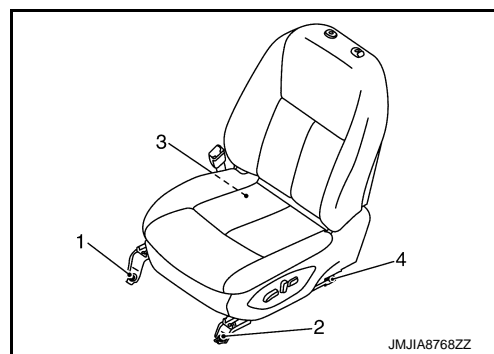
Note the following item, and then install in the reverse order of removal.

CAUTION:

FRONT SEAT

< REMOVAL AND INSTALLATION >

- When installing, tighten fixing bolts according to the numerical order 1 → 4 indicated by arrows as shown in the figure, starting from front inner fixing bolt.



SEATBACK

SEATBACK : Disassembly and Assembly

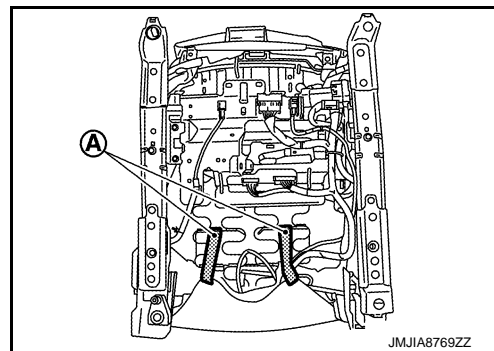
INFOID:000000011285113

CAUTION:


When removing, always use a remover tool that is made of plastic to prevent damage to the parts.

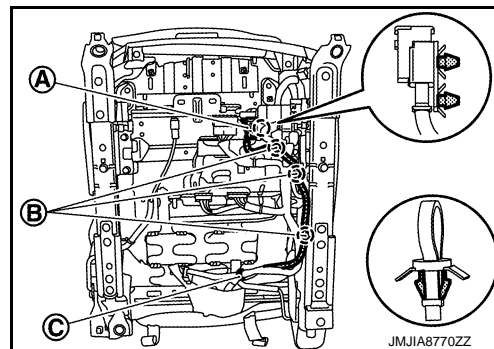
DISASSEMBLY

1. Disengage seatback board fixing rubber band (A).




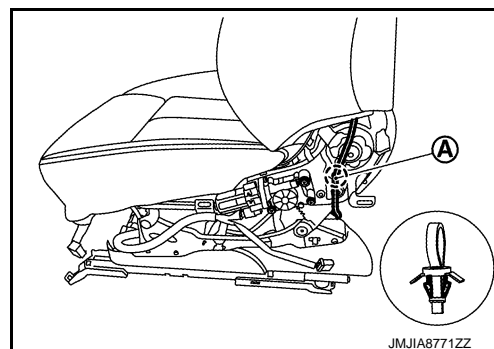
2. Disengage side air bag harness connector fixing clips (A), harness clips (B) and cut cable tie (C).

 : Clip



3. Remove seat cushion outside finisher outer side. Refer to [SE-88. "SEAT CUSHION FINISHER : Removal and Installation"](#).
4. Disengage side air bag harness clip (A).

 : Clip




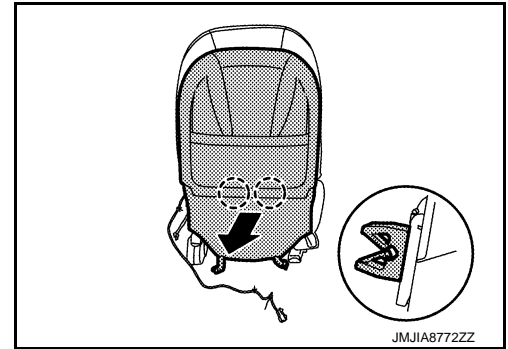
5. Remove seatback board.

FRONT SEAT


< REMOVAL AND INSTALLATION >

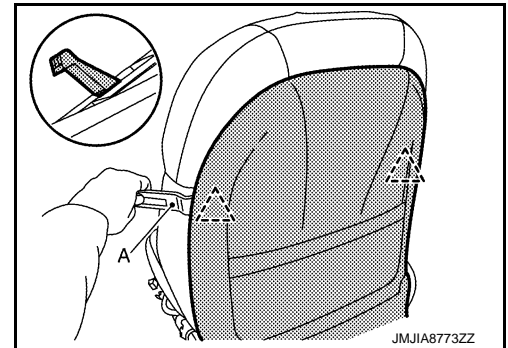
a. Disengage seatback board fixing M-clips.

 : Clip

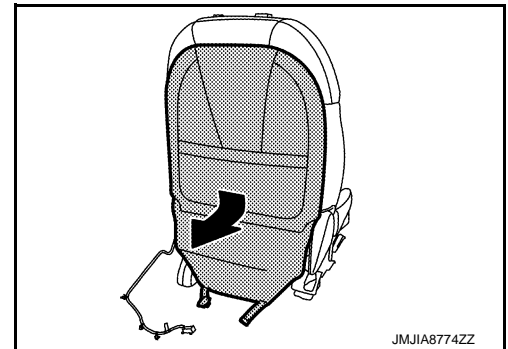


b. Disengage seatback board fixing pawls using a remover tool (A).

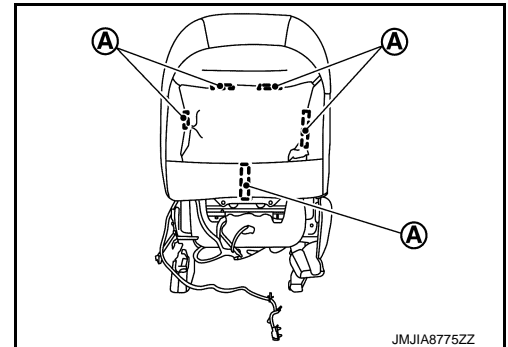
 : Pawl



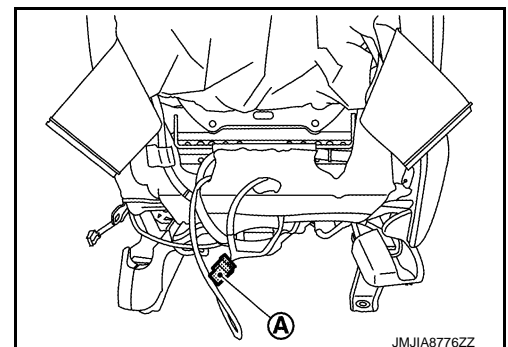
c. Remove seatback board to pull down.



6. Disengage seatback retainer (A).



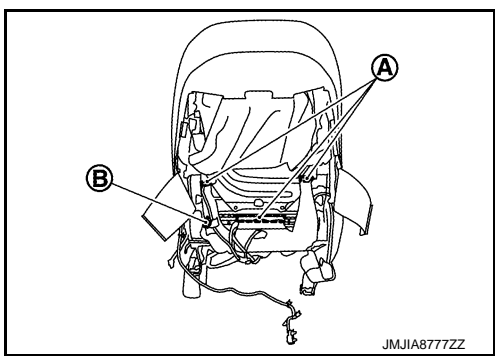
7. Disconnect seat heater harness connector (A).



FRONT SEAT

< REMOVAL AND INSTALLATION >

8. Disengage seatback retainer (A) and hook-and-loop fastener (B).

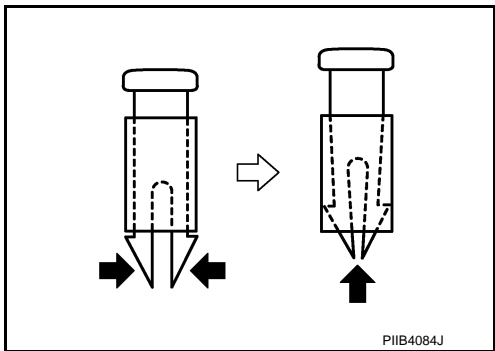


9. Remove headrest holder.

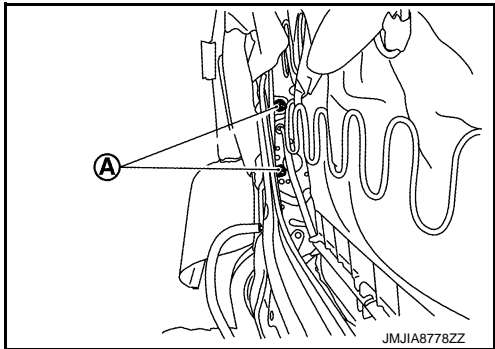
CAUTION:

Before installing headrest holder check its orientation (front / rear and right / left).

Remove the headrest holder by raising it while pinching the pawls from the bottom of the headrest holder.

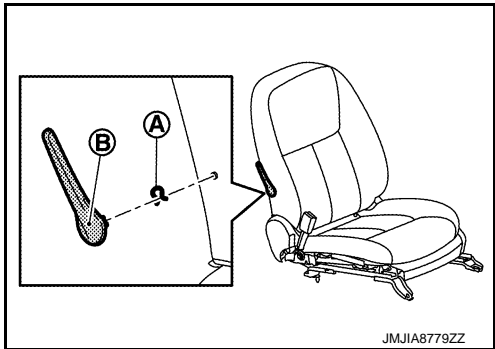


10. Remove side air bag fixing nuts (A).



11. Remove lumbar lever (manual only).

Remove snap ring (A), and then remove lumbar lever (B).

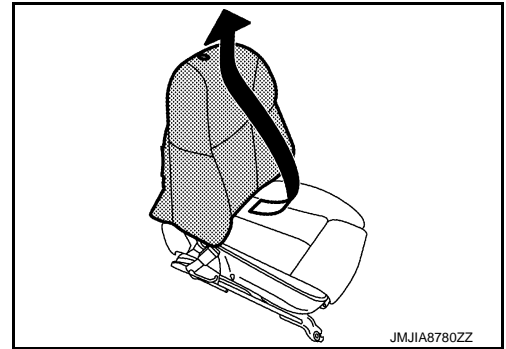


A
B
C
D
E
F
G
H
I
SE
K
L
M
N
O
P

FRONT SEAT

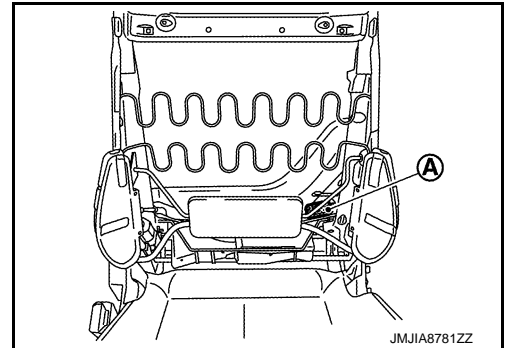
< REMOVAL AND INSTALLATION >

12. Remove seatback trim and seatback pad as a set.

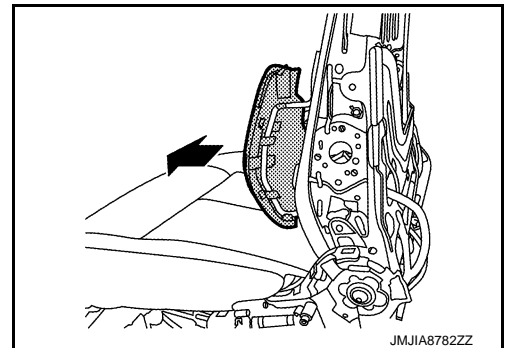


13. Remove side support assembly (if equipped).


a. Disconnect side support assembly harness connector (A).

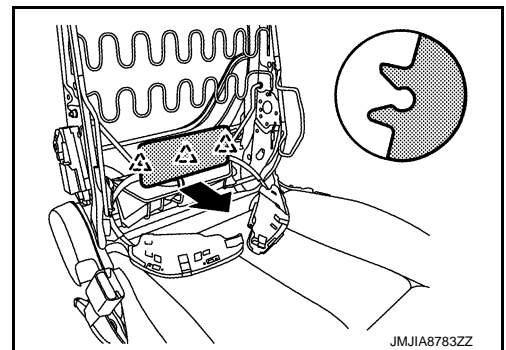


b. Remove side support pad.



c. Disengage lumbar support pad fixing pawls, and then remove lumbar support pad.

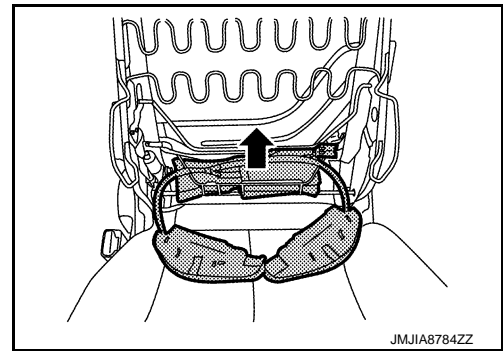
 : Pawl



FRONT SEAT

< REMOVAL AND INSTALLATION >

d. Remove side support assembly.



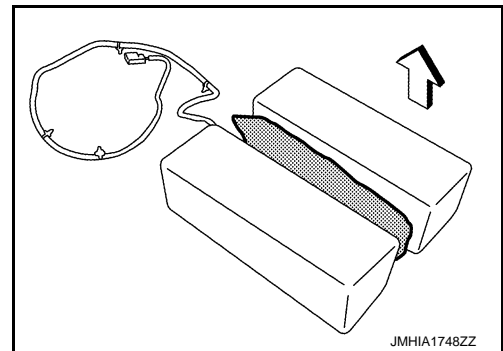
14. Separate seatback trim and seatback pad.

a. Remove side air bag assembly.

CAUTION:

- Note how the part is installed for reference during assembly.
- To prevent accidental explosion, always place the driver air bag module with deploying direction facing upward.

← : Deploying direction



- To prevent damage to the parts, never impact the side air bag module.
- Replace the side air bag module if it is dropped or sustains an impact.



- To prevent accidental explosion, never insert any foreign objects (screwdriver, etc.) into the side air bag module.
- To prevent accidental explosion, never disassemble the side air bag module.
- To prevent accidental explosion, never expose the side air bag module to temperature of more than 90°C (194°F).
- To prevent damage to the parts, never allow oil, grease, detergent, or water to come in contact with the side air bag module.

b. Remove hog rings, and then separate seatback trim and seatback pad.

CAUTION:

Before performing separating operation, check the installation position of hog rings.

ASSEMBLY

Note the following items, and then assemble in the reverse order of disassembly.

CAUTION:

- For hog ring that is removed or crimped unsuccessfully, fix it by using a new hog ring. (Never reuse hog ring.)
- Always install the hog rings in position.
- When installing the side air bag, check that the inner cloth (reinforcement cloth) is not caught in bolt hole.

A
B
C
D
E
F
G
H
I
SE
K
L
M
N
O
P

FRONT SEAT

< REMOVAL AND INSTALLATION >

SEAT CUSHION

SEAT CUSHION : Disassembly and Assembly

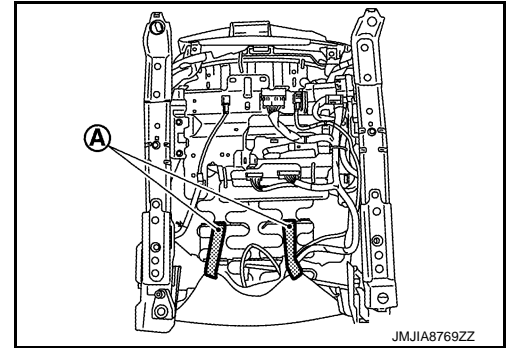
INFOID:000000011285114

CAUTION:

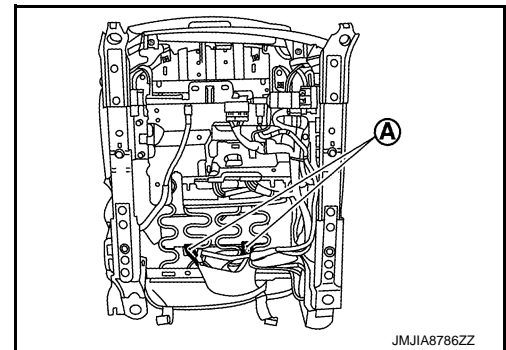
When removing, always use a remover tool that is made of plastic to prevent damage to the parts.

DISASSEMBLY

1. Disengage seatback board fixing rubber band (A).

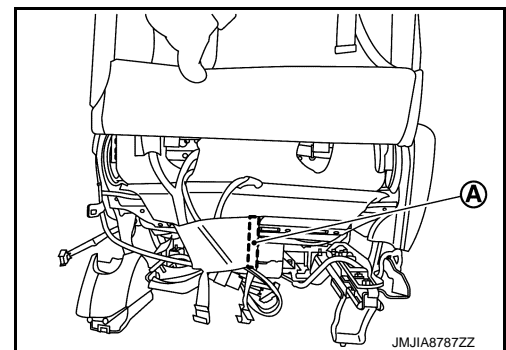


2. Disengage seat cushion trim fixing rubber band (A).

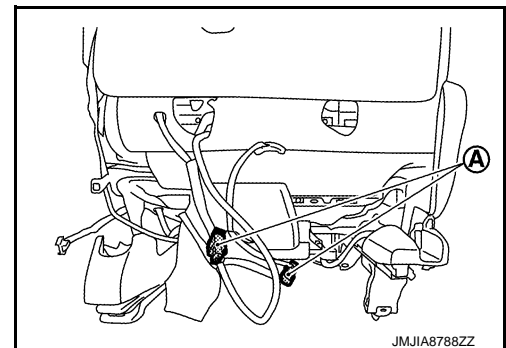


3. Remove seat cushion outside finisher outer side. Refer to [SE-88, "SEAT CUSHION FINISHER : Removal and Installation"](#)

4. Disengage seat cushion trim fixing hook-and-loop fastener (A).



5. Disconnect seat heater harness connector (A).

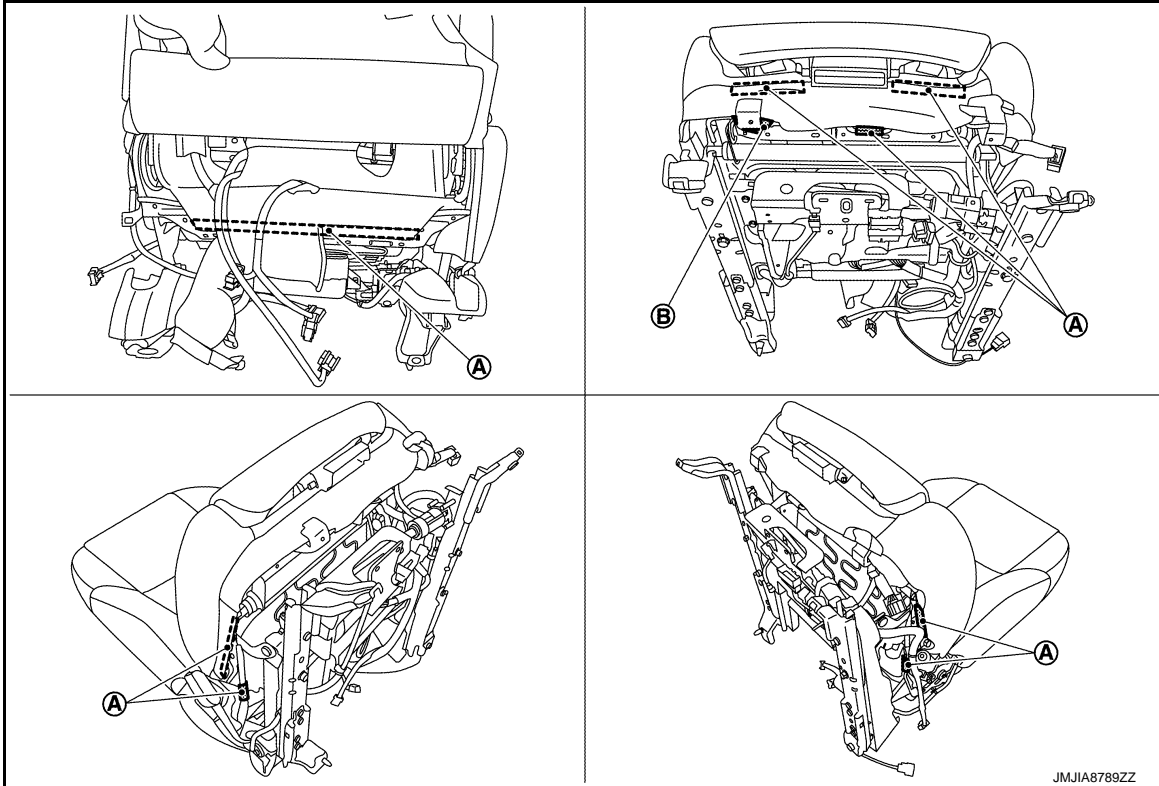


6. Disengage seat cushion retainer (A) and rubber band (B).

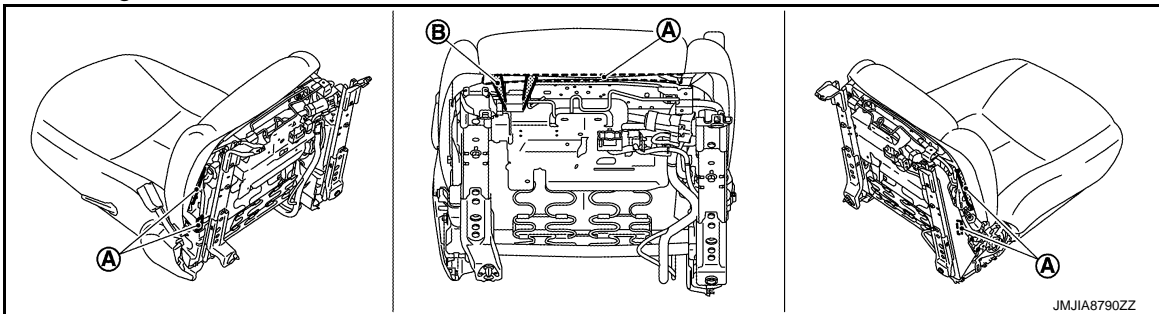
FRONT SEAT

< REMOVAL AND INSTALLATION >

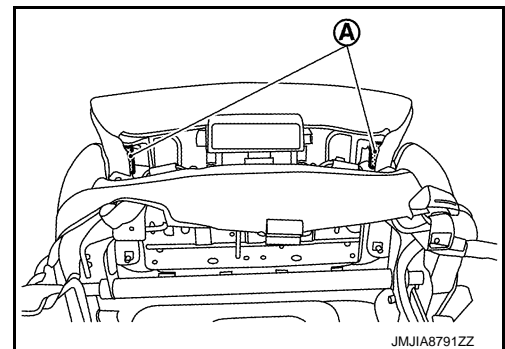
- With thigh extension



- Without thigh extension



7. Remove seat cushion retainer of thigh extension portion (with thigh extension only).
 - a. Extend thigh extension.
 - b. Remove seat cushion retainer ①, and then roll up seat cushion trim and thigh extension pad as a set.

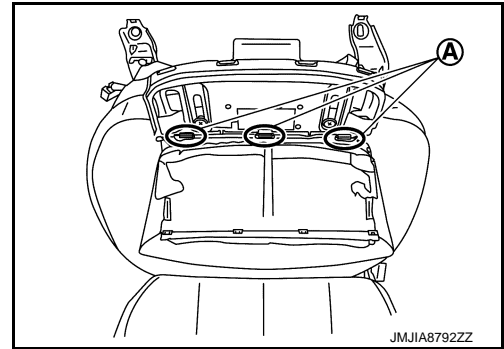


A
B
C
D
E
F
G
H
I
SE
K
L
M
N
O
P

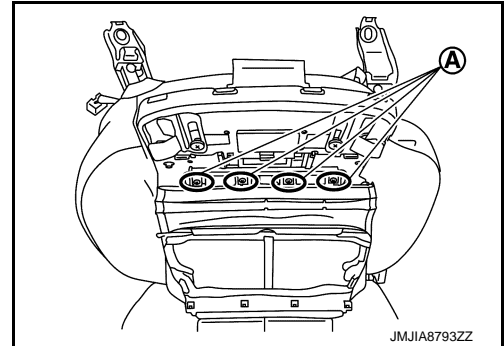
FRONT SEAT

< REMOVAL AND INSTALLATION >

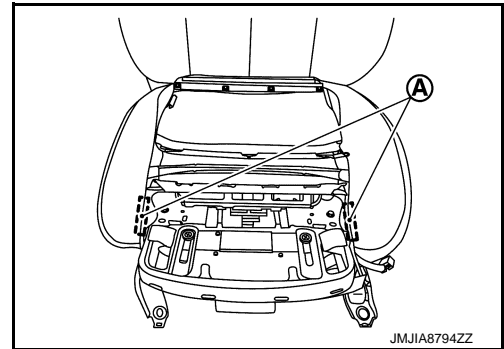
c. Disengage seat cushion trim fixing portion (A).



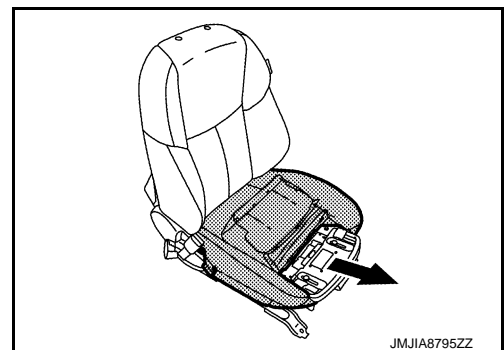
d. Disengage seat cushion trim fixing portion (A).



e. Remove seat cushion retainer (A).



8. Remove seat cushion trim and seat cushion pad as a set.



9. Remove hog rings, and then separate seat cushion trim and seat cushion pad.

CAUTION:

Before performing separating operation, check the installation position of hog rings.

ASSEMBLY

Assemble in the reverse order of disassembly.

SEAT CUSHION FINISHER

SEAT CUSHION FINISHER : Removal and Installation

INFOID:0000000011285115

SEAT CUSHION FORWARD FINISHER

FRONT SEAT

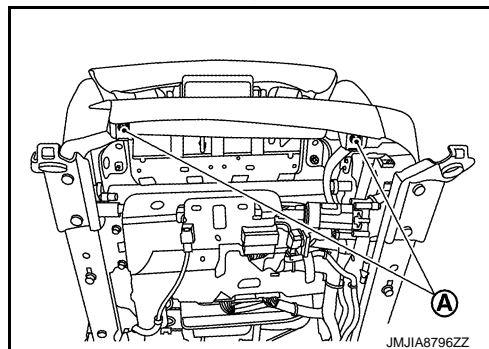
< REMOVAL AND INSTALLATION >

Removal

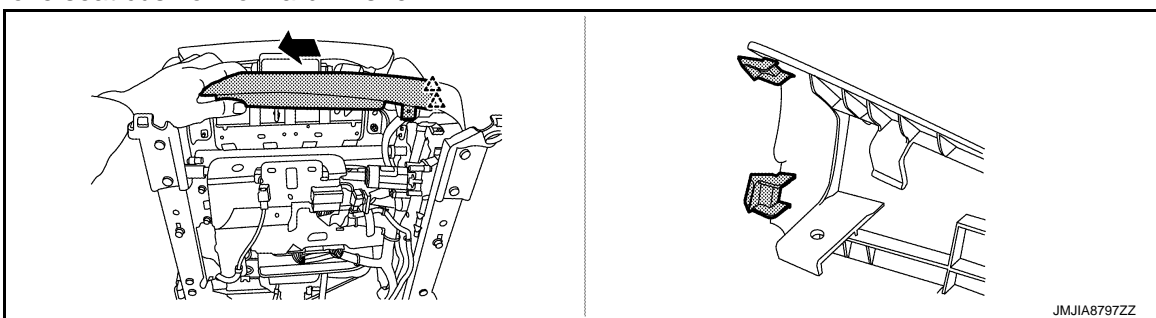
CAUTION:


When removing, always use a remover tool that is made of plastic to prevent damage to the parts.

1. Remove seat cushion forward finisher fixing screws (A).



2. Slide the seat cushion forward finisher, disengage seat cushion forward finisher fixing pawls, and then remove seat cushion forward finisher.



 : Pawl

Installation

Install in the reverse order of removal.

SEAT CUSHION INSIDE FINISHER

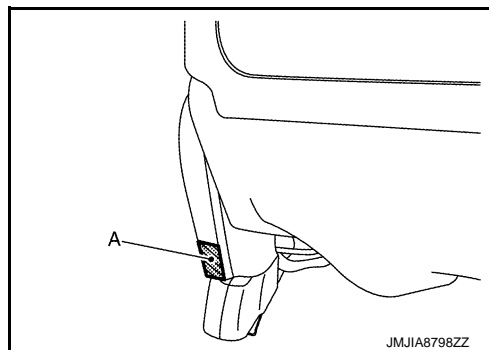
Removal

CAUTION:

When removing, always use a remover tool that is made of plastic to prevent damage to the parts.

SEAT CUSHION INSIDE FINISHER (OUTER SIDE / INNER SIDE) REAR

1. Apply protective tape (A) on the parts to protect it from damage.

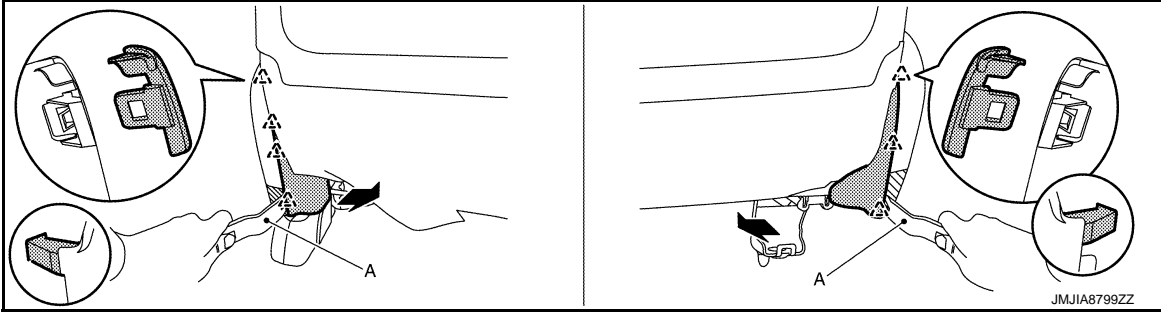



A
B
C
D
E
F
G
H
I
SE
K
L
M
N
O
P

FRONT SEAT

< REMOVAL AND INSTALLATION >

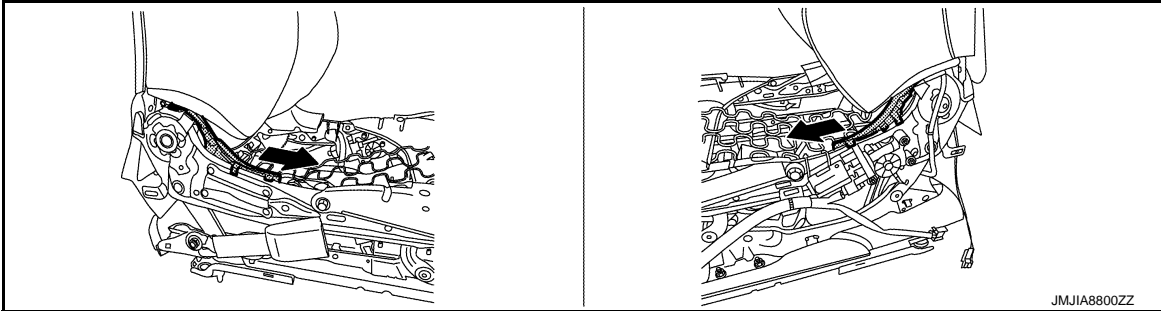
2. Disengage seat cushion inside finisher (outer side / inner side) rear fixing pawls using a remover tool (A), and then remove seat cushion inside finisher (outer side / inner side) rear.



 : Pawl

SEAT CUSHION INSIDE FINISHER (OUTER SIDE / INNER SIDE) FRONT

1. Remove seat cushion. Refer to [SE-86. "SEAT CUSHION : Disassembly and Assembly"](#).
2. Remove seat cushion outside finisher inner side (seat cushion inside finisher inner side front only).
3. Pull seat cushion inside finisher (outer side / inner side) front, and then remove seat cushion inside finisher (outer side / inner side) front.



Installation

Install in the reverse order of removal.

SEAT CUSHION OUTSIDE FINISHER

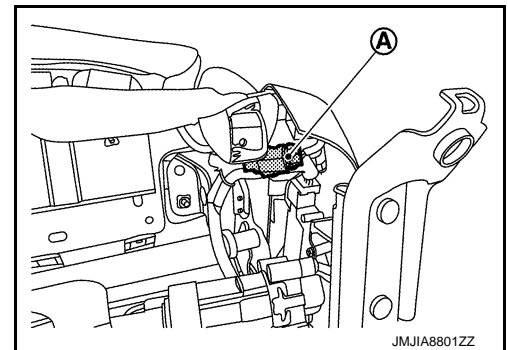
Removal

CAUTION:

When removing, always use a remover tool that is made of plastic to prevent damage to the parts.

SEAT CUSHION OUTSIDE FINISHER OUTER SIDE

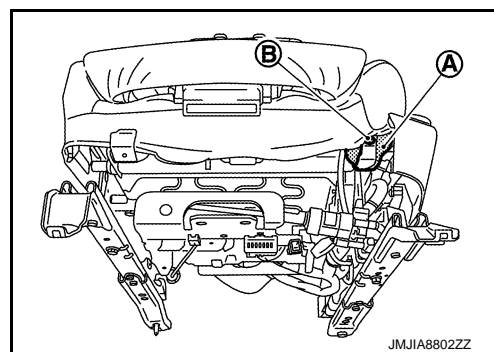
1. Remove seat cushion forward finisher.
2. Disconnect side support harness connector (A) (with side support only).



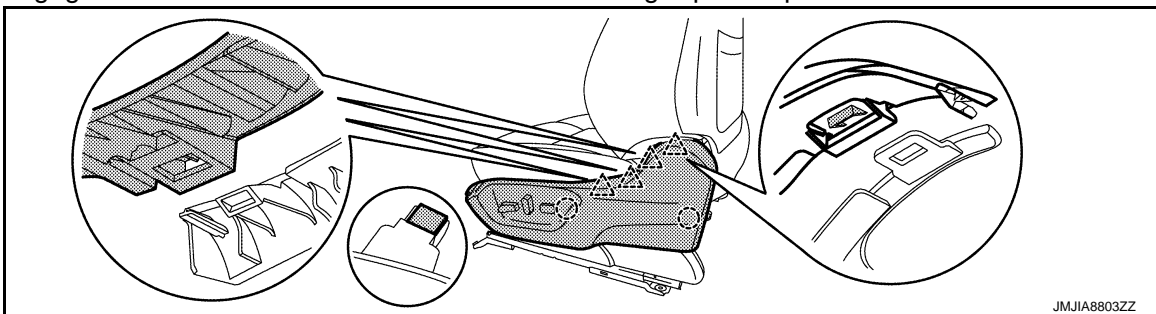
FRONT SEAT

< REMOVAL AND INSTALLATION >

3. Remove seat cushion trim fixing rubber band (A), and then remove seat cushion outside finisher outer side fixing screw (B).

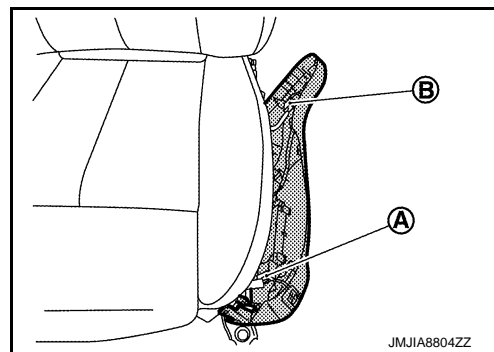


4. Remove seat cushion inside finisher outer side rear.
5. Disengage seat cushion outside finisher outer side fixing clips and pawls.



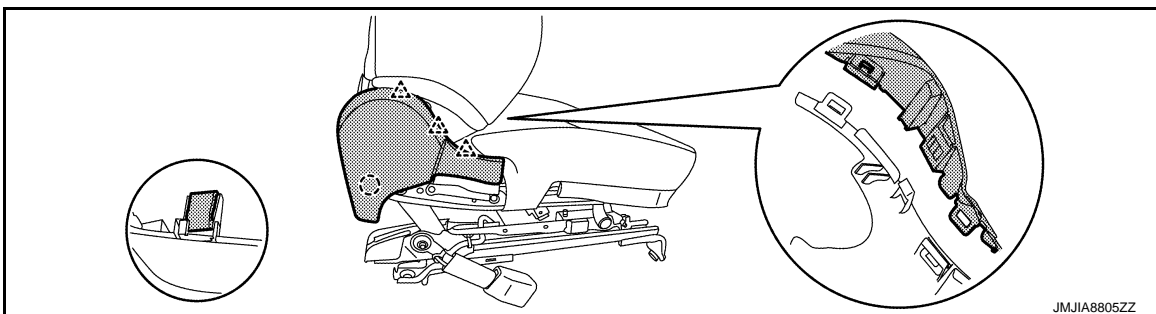
- : Clip
- △ : Pawl

6. Disconnect harness connector (A), (B) (if equipped), and then remove seat cushion outside finisher outer side.



SEAT CUSHION OUTSIDE FINISHER INNER SIDE

1. Remove seat cushion inside finisher inner side rear.
2. Disengage seat cushion outside finisher inner side fixing clip and pawls, and then remove seat cushion outside finisher inner side.



- : Clip
- △ : Pawl

FRONT SEAT

< REMOVAL AND INSTALLATION >

Installation

Install in the reverse order of removal.

LOWER FINISHER

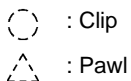
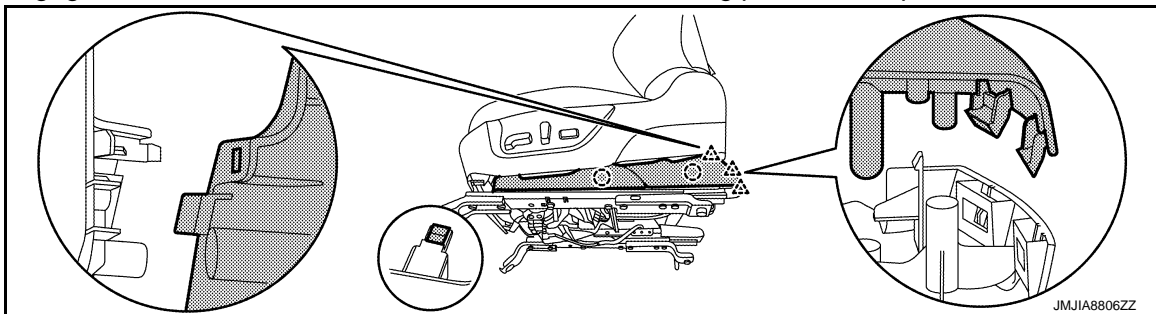
Removal

CAUTION:

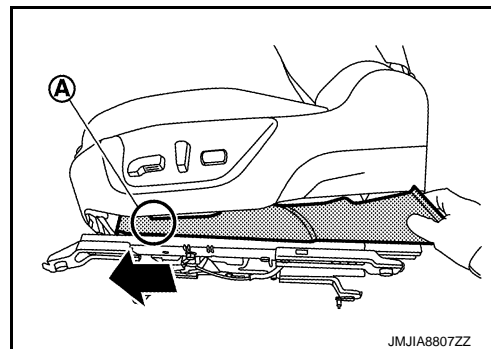
When removing, always use a remover tool that is made of plastic to prevent damage to the parts.

SEAT CUSHION OUTSIDE FINISHER OUTER SIDE LOWER

1. Disengage seat cushion outside finisher outer side lower fixing pawls and clips.

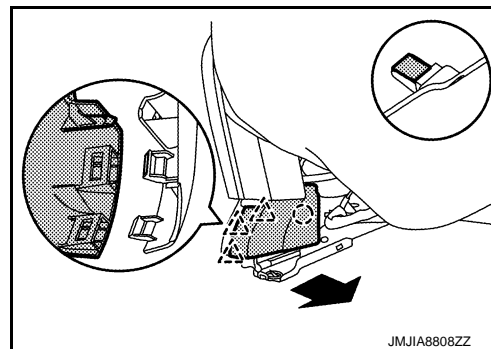
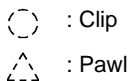


2. Slide the fixing portion ① of seat cushion outside finisher outer side lower, and then remove seat cushion outside finisher outer side lower.



SEAT CUSHION INSIDE FINISHER OUTER SIDE LOWER

1. Disengage seat cushion inside finisher outer side lower fixing clip and pawls, and then remove seat cushion inside finisher outer side lower.




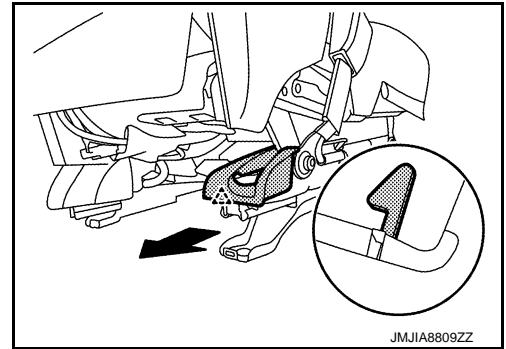
SEAT CUSHION LOWSIDE FINISHER INNER SIDE

FRONT SEAT

< REMOVAL AND INSTALLATION >

1. Disengage seat cushion lowside finisher inner side fixing pawls by pull, and then remove seat cushion lowside finisher inner side.

 : Pawl



Installation

Install in the reverse order of removal.

A
B
C
D
E
F
G
H
I
K
L
M
N
O
P

SE

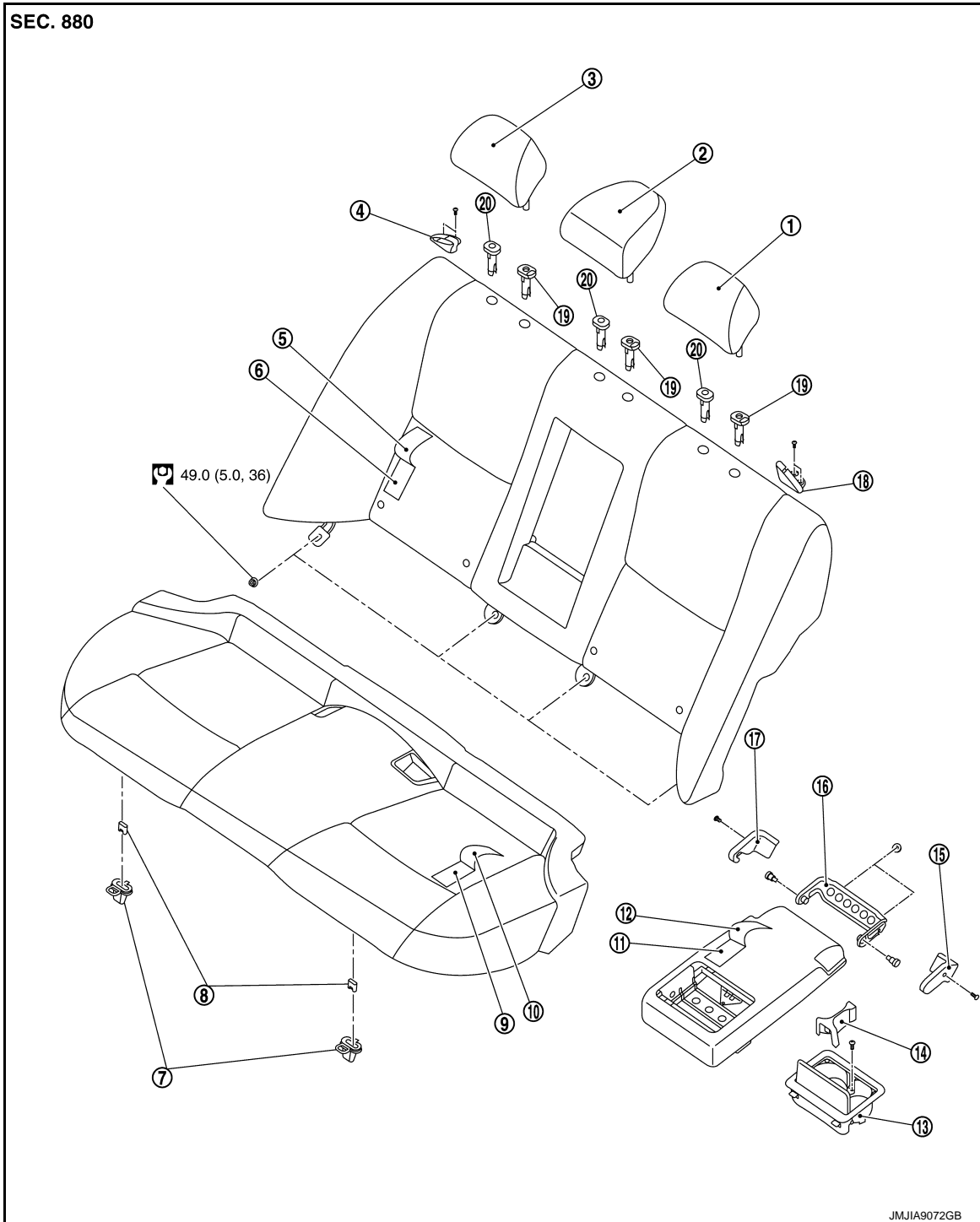
REAR SEAT (BENCH SEAT)

< REMOVAL AND INSTALLATION >

REAR SEAT (BENCH SEAT)

Exploded View

INFOID:000000011285116




- | | | |
|---------------------|---------------------|---------------------|
| ① Headrest LH | ② Headrest center | ③ Headrest RH |
| ④ Seat belt hook RH | ⑤ Seatback trim | ⑥ Seatback pad |
| ⑦ Seat cushion hook | ⑧ Hook cover | ⑨ Seat cushion pad |
| ⑩ Seat cushion trim | ⑪ Armrest pad | ⑫ Armrest trim |
| ⑬ Cup holder | ⑭ Cup holder spacer | ⑮ Hinge cover LH |
| ⑯ Hinge bracket | ⑰ Hinge cover RH | ⑱ Seat belt hook LH |

REAR SEAT (BENCH SEAT)

< REMOVAL AND INSTALLATION >

⑲ Headrest holder (lock)

⑳ Headrest holder (free)

 : N·m (kg·m, ft·lb)

ARMREST

ARMREST : Removal and Installation

INFOID:000000011285117

CAUTION:

When removing and installing, use shop cloths to protect parts from damage.

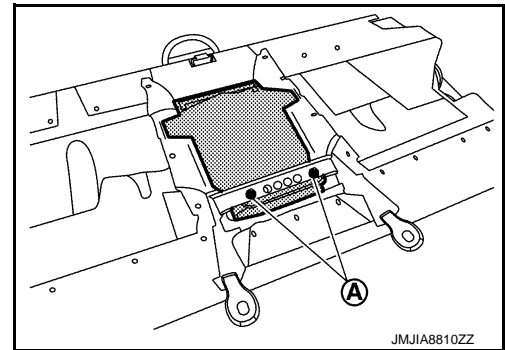
REMOVAL

1. Remove seatback. Refer to [SE-97. "SEATBACK : Removal and Installation"](#).
2. Remove armrest trim fixing hog rings.

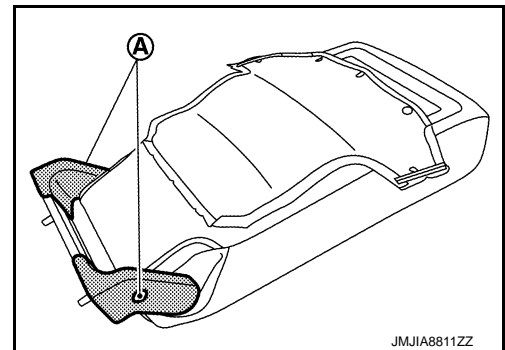
CAUTION:

Before performing separating operation, check the installation position of hog rings.

3. Remove armrest fixing nuts ①, and then remove armrest.



4. Remove hinge cover fixing clips ①, and then remove hinge covers.



INSTALLATION

Note the following items, and then install in the reverse order of removal.

CAUTION:

- For hog ring that is removed or crimped unsuccessfully, fix it by using a new hog ring. (Never reuse hog ring.)
- Always install the hog rings in position.

ARMREST : Disassembly and Assembly

INFOID:000000011285118

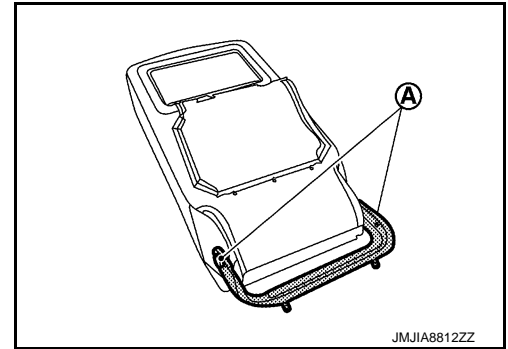
DISASSEMBLY

A
B
C
D
E
F
G
H
I
SE
K
L
M
N
O
P


REAR SEAT (BENCH SEAT)

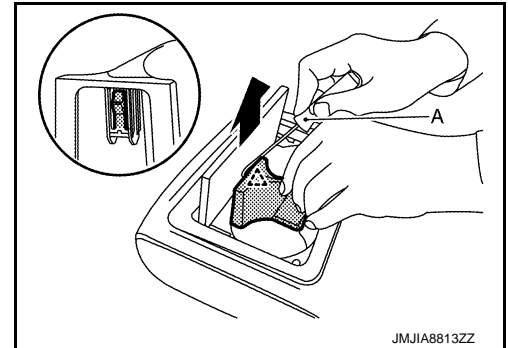
< REMOVAL AND INSTALLATION >

1. Remove hinge bracket fixing bolts (A), and then remove hinge bracket.

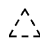


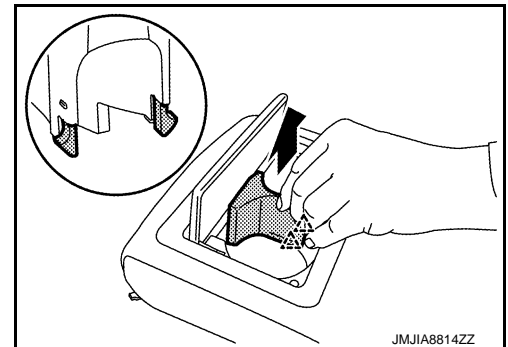
2. Remove cup holder.
 - a. Disengage cup holder spacer fixing pawls by pull up while push cup holder spacer fixing pawl using a pic tool (A).

 : Pawl

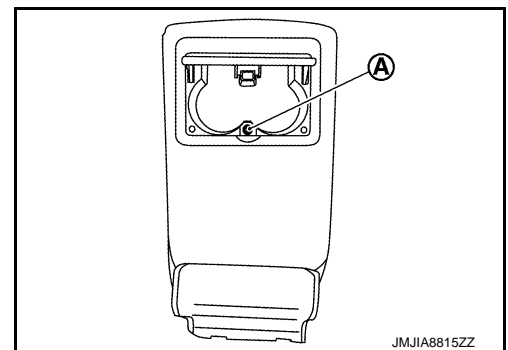


- b. Disengage cup holder spacer fixing pawls, and then remove cup holder spacer.

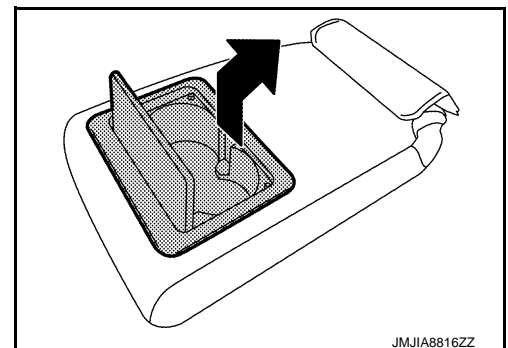
 : Pawl



- c. Remove cup holder fixing screw (A).



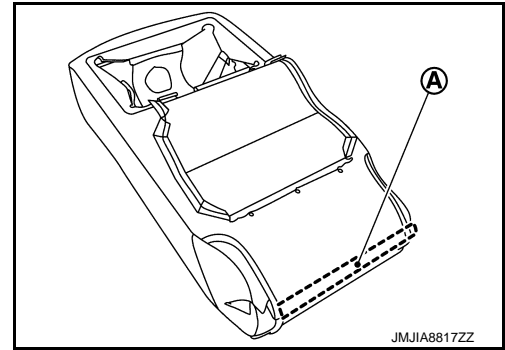
- d. Pull up cup holder of vehicle rear side, and then remove cup holder.



REAR SEAT (BENCH SEAT)

< REMOVAL AND INSTALLATION >

3. Disengage armrest trim fixing retainer (A), and then separate armrest trim and armrest pad.



ASSEMBLY

Assemble in the reverse order of disassembly.

SEAT CUSHION

SEAT CUSHION : Removal and Installation

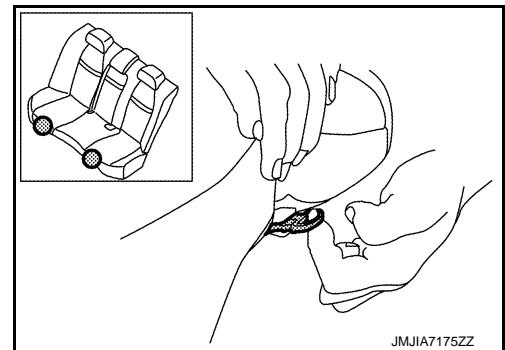
INFOID:000000011285119

CAUTION:

When removing and installing, use shop cloths to protect parts from damage.

REMOVAL

1. Lift up seat cushion while pulling a seat cushion hook levers, and then disengage seat cushion hook.



2. Remove seat cushion from vehicle.

INSTALLATION

Install in the reverse order of removal.

SEAT CUSHION : Disassembly and Assembly

INFOID:000000011285120

DISASSEMBLY

Remove hog rings, and then separate seat cushion trim and seat cushion pad.

CAUTION:

Before performing separating operation, check the installation position of hog rings.

ASSEMBLY

Note the following items, and then assemble in the reverse order of disassembly.

CAUTION:

- For hog ring that is removed or crimped unsuccessfully, fix it by using a new hog ring. (Never reuse hog ring.)
- Always install the hog rings in position.

SEATBACK

SEATBACK : Removal and Installation

INFOID:000000011285121

CAUTION:

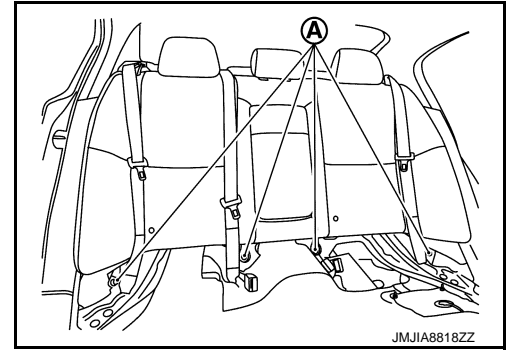
When removing and installing, use shop cloths to protect parts from damage.

REMOVAL

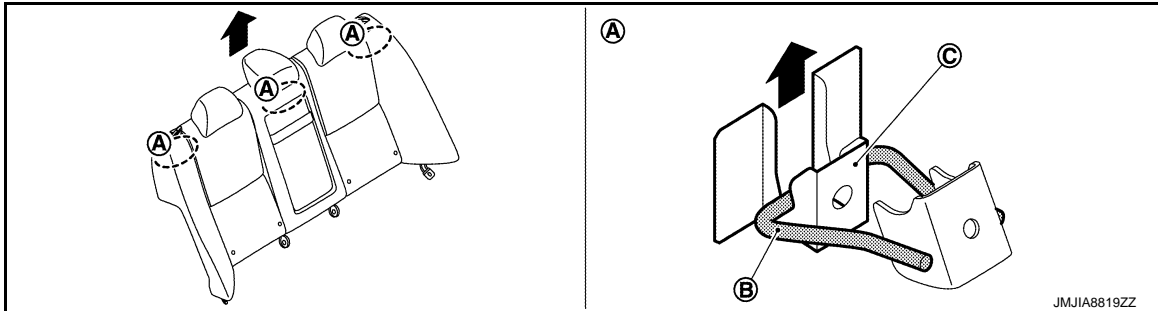
REAR SEAT (BENCH SEAT)

< REMOVAL AND INSTALLATION >

1. Remove seat cushion. Refer to [SE-97. "SEAT CUSHION : Removal and Installation"](#).
2. Remove seat belt from seat belt hook.
3. Remove seatback fixing nuts (A).



4. Lift up seatback, disengage seatback frame (B) from engaging portion (C), and then remove seatback.



INSTALLATION

Note the following item, and then install in the reverse order of removal.

CAUTION:

When installing, temporarily tighten all fixing bolts, and then tighten bolts to specified torque.

SEATBACK : Disassembly and Assembly

INFOID:000000011285122

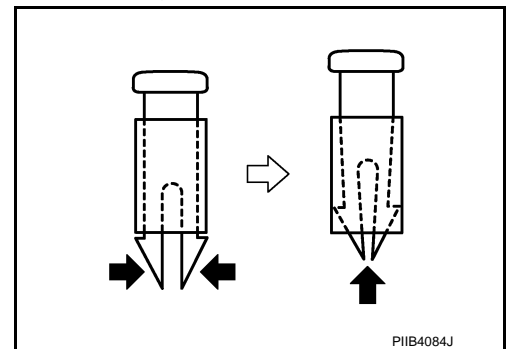
DISASSEMBLY

1. Remove armrest. Refer to [SE-95. "ARMREST : Removal and Installation"](#).
2. Remove headrest holder.

CAUTION:

Before installing headrest holder check its orientation (front/ rear and right/ left).

Use pincers, etc., to press up pawls as shown by the arrows in the figure, and remove headrest holder from seatback.



3. Remove hog rings, and then separate seatback trim and seatback pad.

CAUTION:

Before performing separating operation, check the installation position of hog rings.

ASSEMBLY

Note the following items, and then assemble in the reverse order of disassembly.

CAUTION:

- For hog ring that is removed or crimped unsuccessfully, fix it by using a new hog ring. (Never reuse hog ring.)
- Always install the hog rings in position.

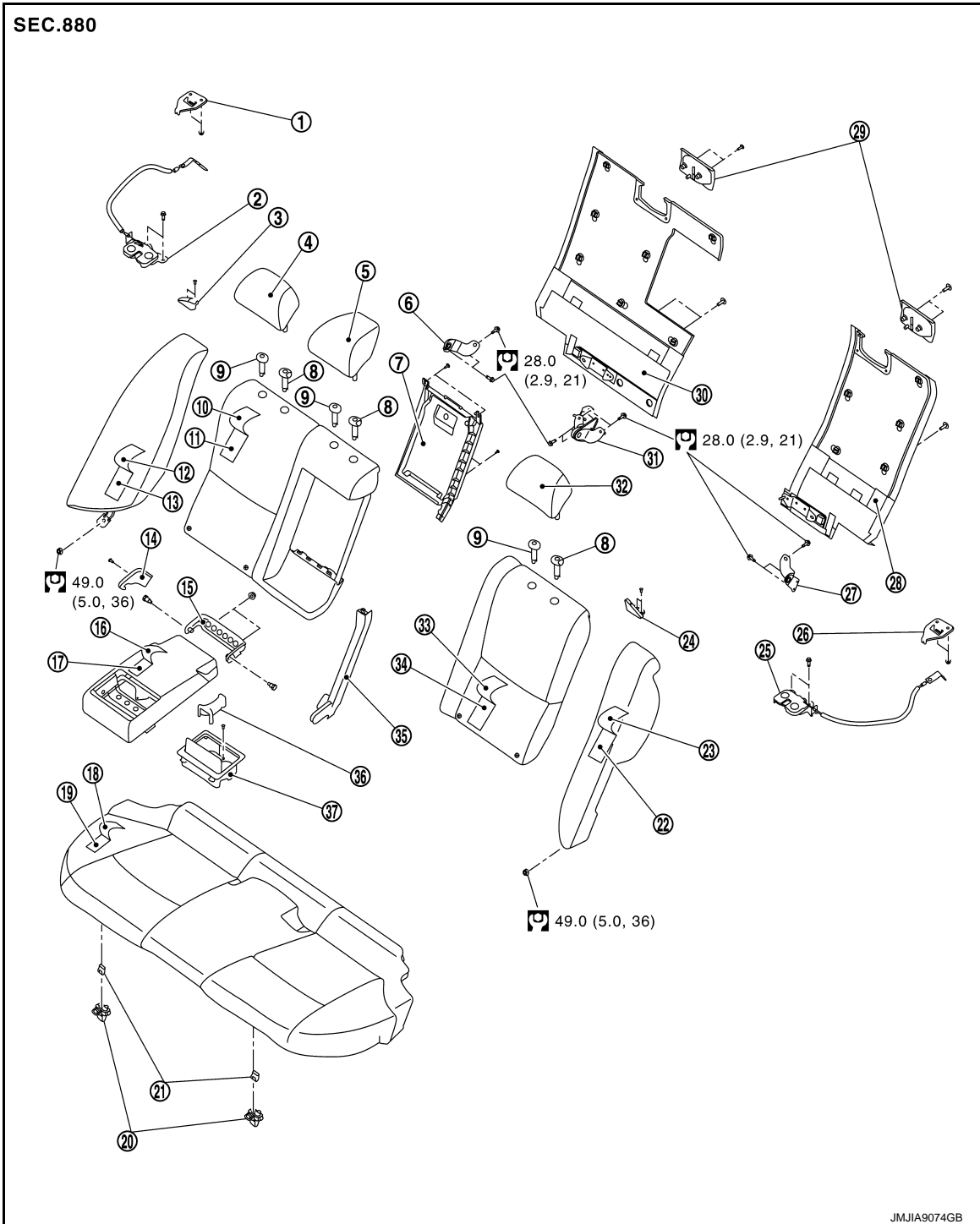
REAR SEAT (6 : 4 SEPARATE SEAT)

< REMOVAL AND INSTALLATION >

REAR SEAT (6 : 4 SEPARATE SEAT)

Exploded View

INFOID:000000011285123




- | | | |
|------------------------|--------------------------|--------------------------|
| ① Cable bracket RH | ② Seat lock RH | ③ Seat belt hook RH |
| ④ Headrest RH | ⑤ Headrest center | ⑥ Seatback hinge RH |
| ⑦ Seatback lid | ⑧ Headrest holder (lock) | ⑨ Headrest holder (free) |
| ⑩ Seatback trim RH | ⑪ Seatback pad RH | ⑫ Seatback side trim RH |
| ⑬ Seatback side pad RH | ⑭ Hinge cover RH | ⑮ Hinge bracket |
| ⑯ Armrest trim | ⑰ Armrest pad | ⑱ Seat cushion trim |

A
B
C
D
E
F
G
H
I
SE
K
L
M
N
O
P

REAR SEAT (6 : 4 SEPARATE SEAT)

< REMOVAL AND INSTALLATION >

- | | | |
|--------------------------|--------------------------|----------------------|
| ①9 Seat cushion pad | ②0 Seat cushion hook | ②1 Hook cover |
| ②2 Seatback side pad LH | ②3 Seatback side trim LH | ②4 Seat belt hook LH |
| ②5 Seat lock LH | ②6 Cable bracket LH | ②7 Seatback hinge LH |
| ②8 Seatback board LH | ②9 Striker cover | ③0 Seatback board RH |
| ③1 Seatback hinge center | ③2 Headrest LH | ③3 Seatback trim LH |
| ③4 Seatback pad LH | ③5 Armrest escutcheon | ③6 Cup holder spacer |
| ③7 Cup holder | | |

 : N·m (kg-m, ft-lb)

ARMREST

ARMREST : Removal and Installation

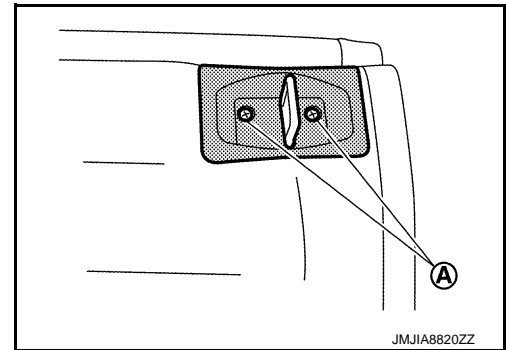
INFOID:000000011285124

CAUTION:


When removing and installing, use shop cloths to protect parts from damage.

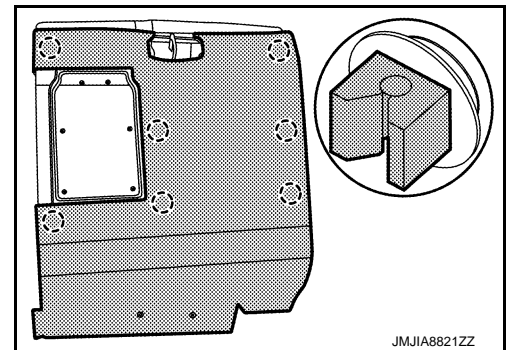
REMOVAL

1. Remove seatback board.
 - a. Remove striker cover fixing screws (A), and then remove striker cover.

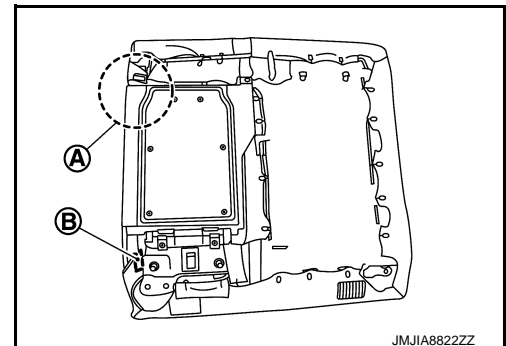


- b. Disengage seatback board fixing clips, and then remove seatback board.

 : Clip



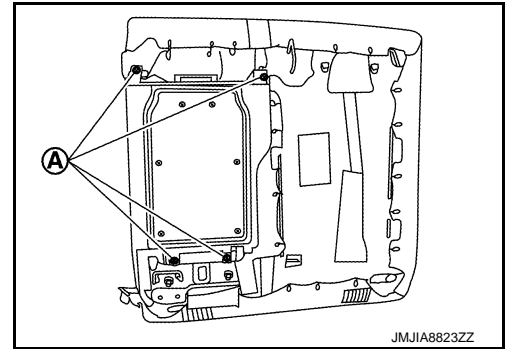
2. Remove seatback lid.
 - a. Disengage seatback trim (A) and retainer (B).




REAR SEAT (6 : 4 SEPARATE SEAT)

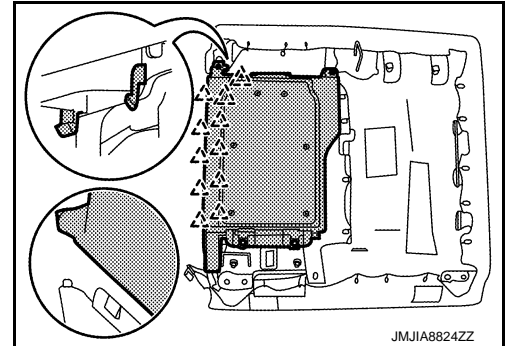
< REMOVAL AND INSTALLATION >

b. Remove seatback lid fixing screws (A).

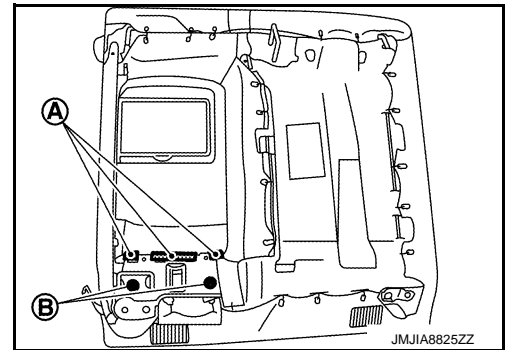


c. Disengage seatback trim fixing pawls, and then remove seatback lid.

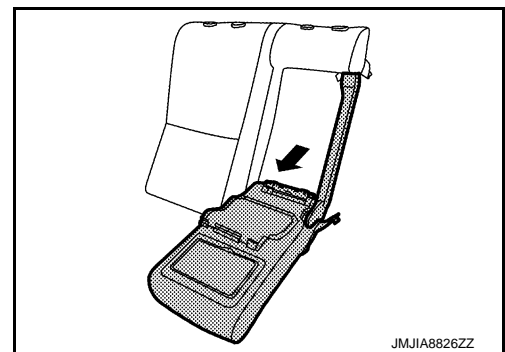
 : Pawl



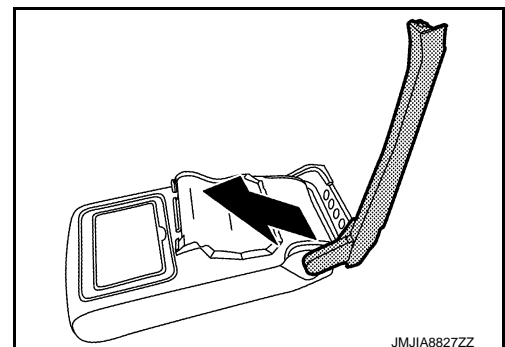
3. Remove armrest trim fixing retainer (A) and armrest fixing nuts (B).



4. Pull armrest, and then remove armrest and armrest escutcheon as a set.



5. Remove armrest escutcheon.

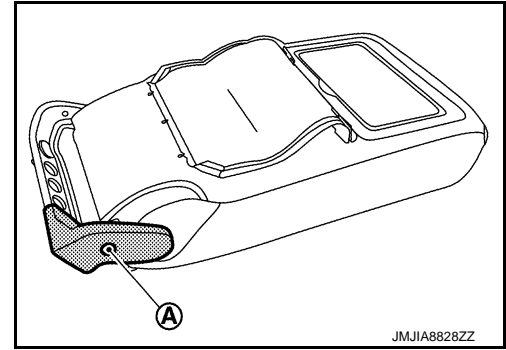


A
B
C
D
E
F
G
H
I
SE
K
L
M
N
O
P

REAR SEAT (6 : 4 SEPARATE SEAT)

< REMOVAL AND INSTALLATION >

6. Remove hinge cover.
Remove hinge cover fixing clip (A), and then remove hinge cover.



INSTALLATION

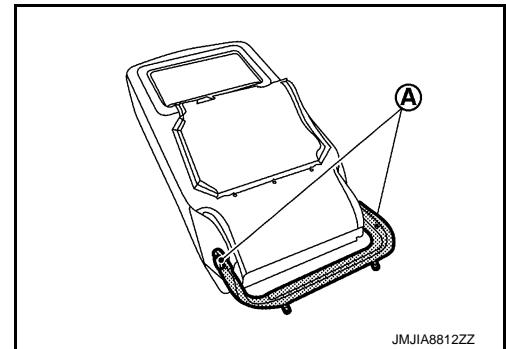
Install in the reverse order of removal.

ARMREST : Disassembly and Assembly


INFOID:000000011285125

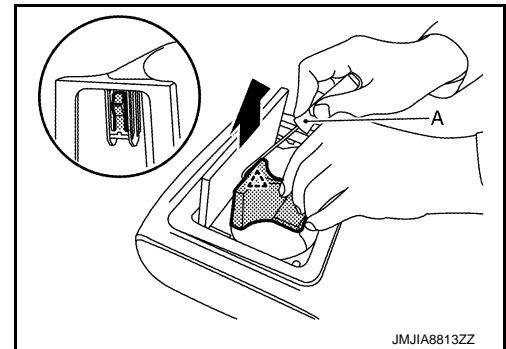
DISASSEMBLY

1. Remove hinge bracket fixing bolts (A), and then remove hinge bracket.




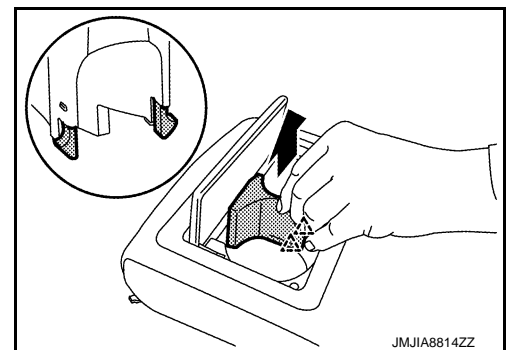
2. Remove cup holder.
 - a. Disengage cup holder spacer fixing pawls by pull up while push cup holder spacer fixing pawl using a pic tool (A).

 : Pawl



- b. Disengage cup holder spacer fixing pawls, and then remove cup holder spacer.

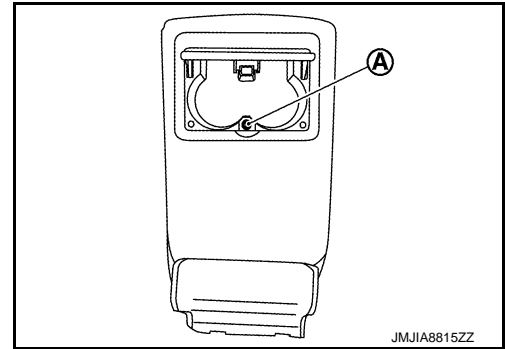
 : Pawl



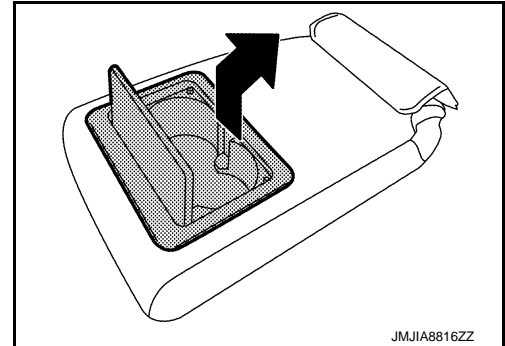
REAR SEAT (6 : 4 SEPARATE SEAT)

< REMOVAL AND INSTALLATION >

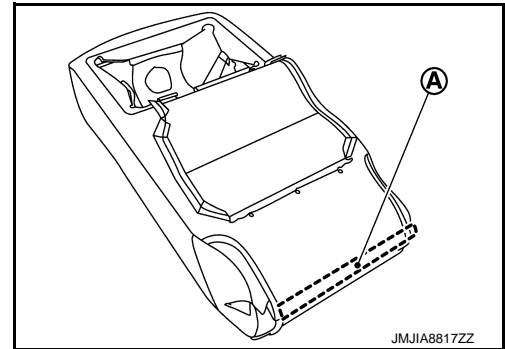
- c. Remove cup holder fixing screw (A).



- d. Pull up cup holder of vehicle rear side, and then remove cup holder.



3. Disengage armrest trim fixing retainer (A), and then separate armrest trim and armrest pad.



ASSEMBLY

Assemble in the reverse order of disassembly.

SEATBACK

SEATBACK : Removal and Installation

INFOID:000000011285126

CAUTION:

When removing and installing, use shop cloths to protect parts from damage.

REMOVAL

Seatback

CAUTION:

Never remove seat cushion during seatback removal and installation to prevent dirt on the seatback.

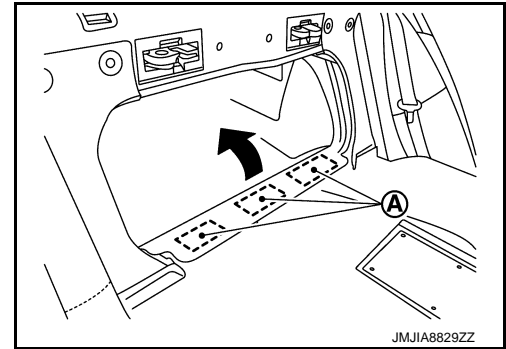
1. Pull the strap to fold seatback down.

A
B
C
D
E
F
G
H
I
SE
K
L
M
N
O
P

REAR SEAT (6 : 4 SEPARATE SEAT)

< REMOVAL AND INSTALLATION >

2. Disengage hook-and-loop fastener (A) for trunk floor carpet.



3. Roll up trim for seatback board.

- a. Remove clips

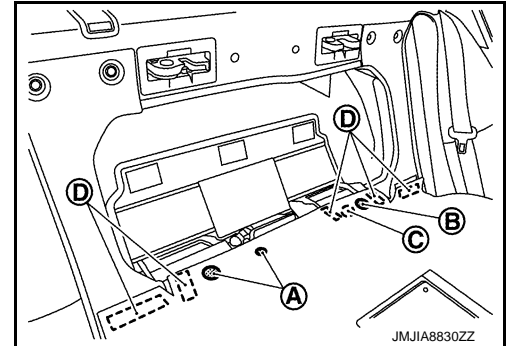
- RH side

Remove seatback board trim fixing clips (A), and then disengage hook-and-loop fastener (D).

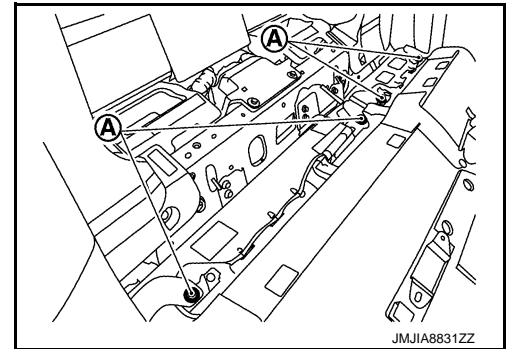
- LH side

Remove seatback board trim fixing clips (B), and then disengage hook-and-loop fastener (D), clip (C).

- b. Further roll up the trim, and disengage hook-and-loop fastener, to expose seatback fixing bolts.

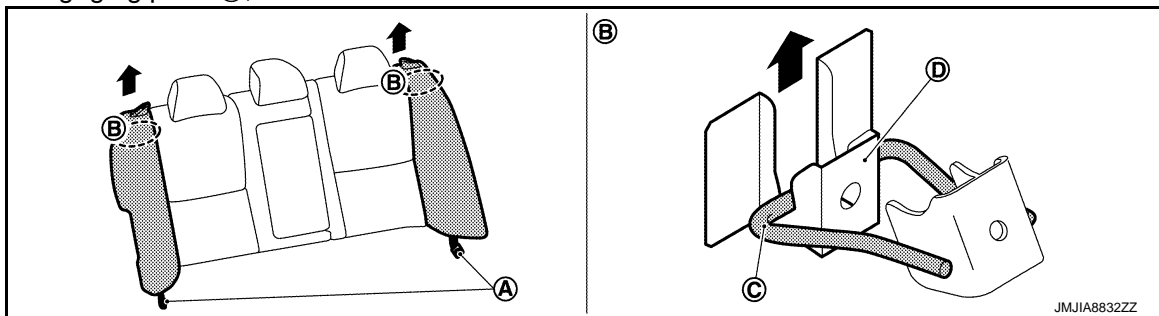


4. Remove seatback fixing bolts (A), and then remove seatback.



Seatback side

1. Remove seat cushion. Refer to [SE-106. "SEAT CUSHION : Removal and Installation"](#).
2. Remove seat belt from seat belt hook.
3. Remove seatback side fixing nut (A), and then lift up seatback side, disengage seatback side frame (C) from engaging point (D), remove seatback side.



INSTALLATION

Note the following item, and then install in the reverse order of removal.

CAUTION:

When installing, temporarily tighten all fixing bolts, and then tighten bolts to specified torque.

REAR SEAT (6 : 4 SEPARATE SEAT)

< REMOVAL AND INSTALLATION >

SEATBACK : Disassembly and Assembly

INFOID:000000011285127

DISASSEMBLY

Seatback RH

1. Remove armrest. Refer to [SE-100, "ARMREST : Removal and Installation"](#).
2. Remove hog rings.

CAUTION:

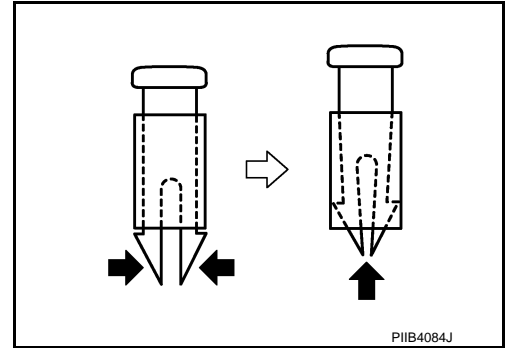
Before performing separating operation, check the installation position of hog rings.

3. Remove headrest holder.

CAUTION:

Before installing headrest holder check its orientation (Front/rear and right/left).

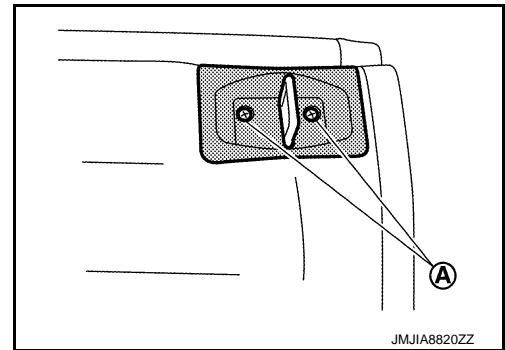
Remove the headrest holder by raising it while pinching the pawls from the bottom of the headrest holder.




4. Separate seatback trim and seatback pad.

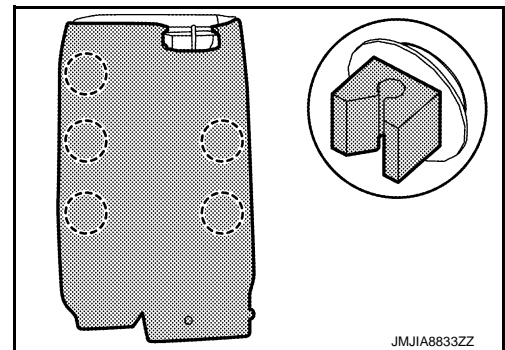
Seatback LH

1. Remove seatback board.
 - a. Remove striker cover fixing screws (A), and then remove striker cover.



- b. Disengage seatback board fixing clips, and then remove seatback board.

 : Clip



2. Remove headrest holder.

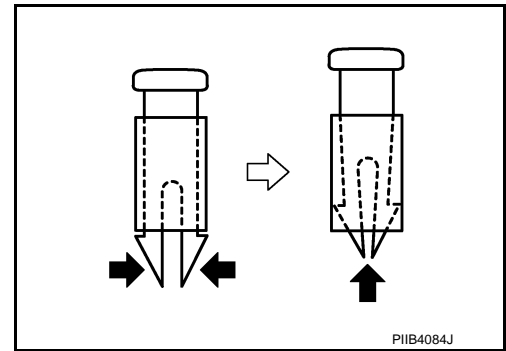
CAUTION:

Before installing headrest holder check its orientation (Front/rear and right/left).

REAR SEAT (6 : 4 SEPARATE SEAT)

< REMOVAL AND INSTALLATION >

Remove the headrest holder by raising it while pinching the pawls from the bottom of the headrest holder.



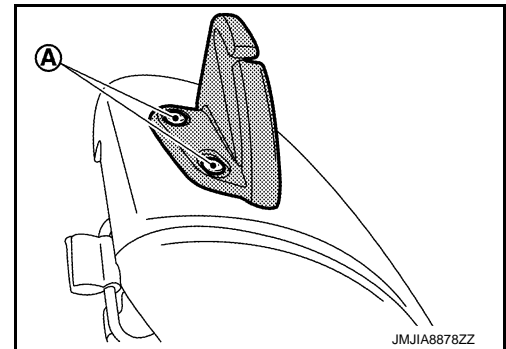
3. Remove hog rings, and then separate seatback trim and seatback pad.

CAUTION:

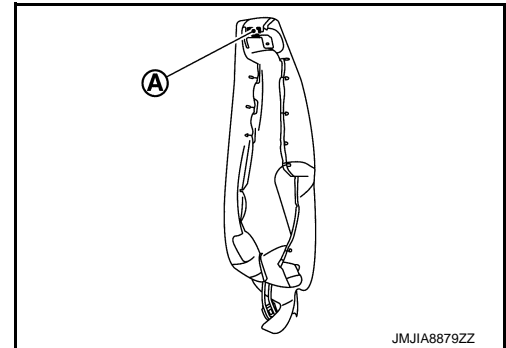
Before performing separating operation, check the installation position of hog rings.

Seatback side

1. Remove seat belt hook fixing screws (A), and then remove seat belt hook.



2. Disengage seatback side trim fixing retainer (A).



3. Remove hog rings, and then separate seatback side trim and seatback side pad.

CAUTION:

Before performing separating operation, check the installation position of hog rings.

ASSEMBLY

Note the following items, and then assemble in the reverse order of disassembly.

CAUTION:

- For hog ring that is removed or crimped unsuccessfully, fix it by using a new hog ring. (Never reuse hog ring.)
- Always install the hog rings in position.

SEAT CUSHION

SEAT CUSHION : Removal and Installation

INFOID:000000011285128

CAUTION:

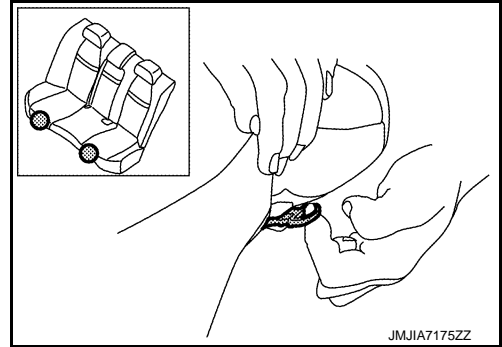
When removing and installing, use shop cloths to protect parts from damage.

REMOVAL

REAR SEAT (6 : 4 SEPARATE SEAT)

< REMOVAL AND INSTALLATION >

1. Lift up seat cushion while pulling a seat cushion hook levers, and then disengage seat cushion hook.



2. Remove seat cushion from vehicle.

INSTALLATION

Install in the reverse order of removal.

SEAT CUSHION : Disassembly and Assembly

INFOID:0000000011285129

DISASSEMBLY

Remove hog rings, and then separate seat cushion trim and seat cushion pad.

CAUTION:

Before performing separating operation, check the installation position of hog rings.

ASSEMBLY

Note the following items, and then assemble in the reverse order of disassembly.

CAUTION:

- For hog ring that is removed or crimped unsuccessfully, fix it by using a new hog ring. (Never reuse hog ring.)
- Always install the hog rings in position.

SEATBACK HINGE

SEATBACK HINGE : Removal and Installation

INFOID:0000000011285130

REMOVAL

1. Remove seatback Refer to [SE-97. "SEATBACK : Removal and Installation"](#).
2. Remove seatback hinge fixing bolts, and then remove seatback hinge.

INSTALLATION

Note the following item, and then install in the reverse order of removal.

CAUTION:

When installing, temporarily tighten all fixing bolts, and then tighten bolts to specified torque.

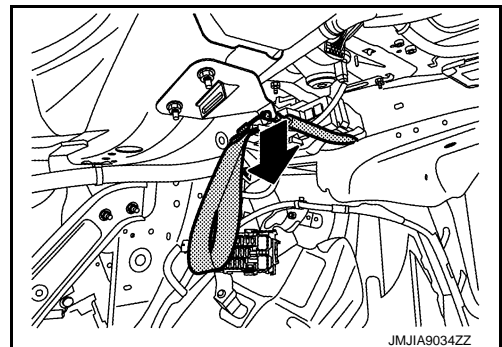
SEAT LOCK

SEAT LOCK : Removal and Installation

INFOID:0000000011285131

REMOVAL

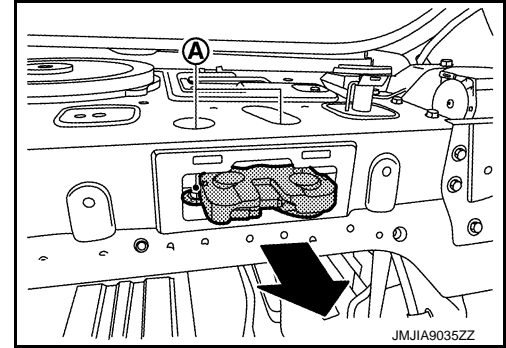
1. Remove trunk upper finisher. Refer to [INT-50. "TRUNK UPPER FINISHER : Removal and Installation"](#).
2. Pull down cable, and then remove cable.



REAR SEAT (6 : 4 SEPARATE SEAT)

< REMOVAL AND INSTALLATION >

3. Remove rear parcel shelf finisher. Refer to [INT-33, "Removal and Installation"](#).
4. Remove center seat belt retractor (RH side only). Refer to [SB-14, "SEAT BELT RETRACTOR : Removal and Installation"](#).
5. Remove seat lock fixing bolts (A), and then remove seat lock.



INSTALLATION

Note the following item, and then install in the reverse order of removal.

CAUTION:

When installing, temporarily tighten all fixing bolts, and then tighten bolts to specified torque.

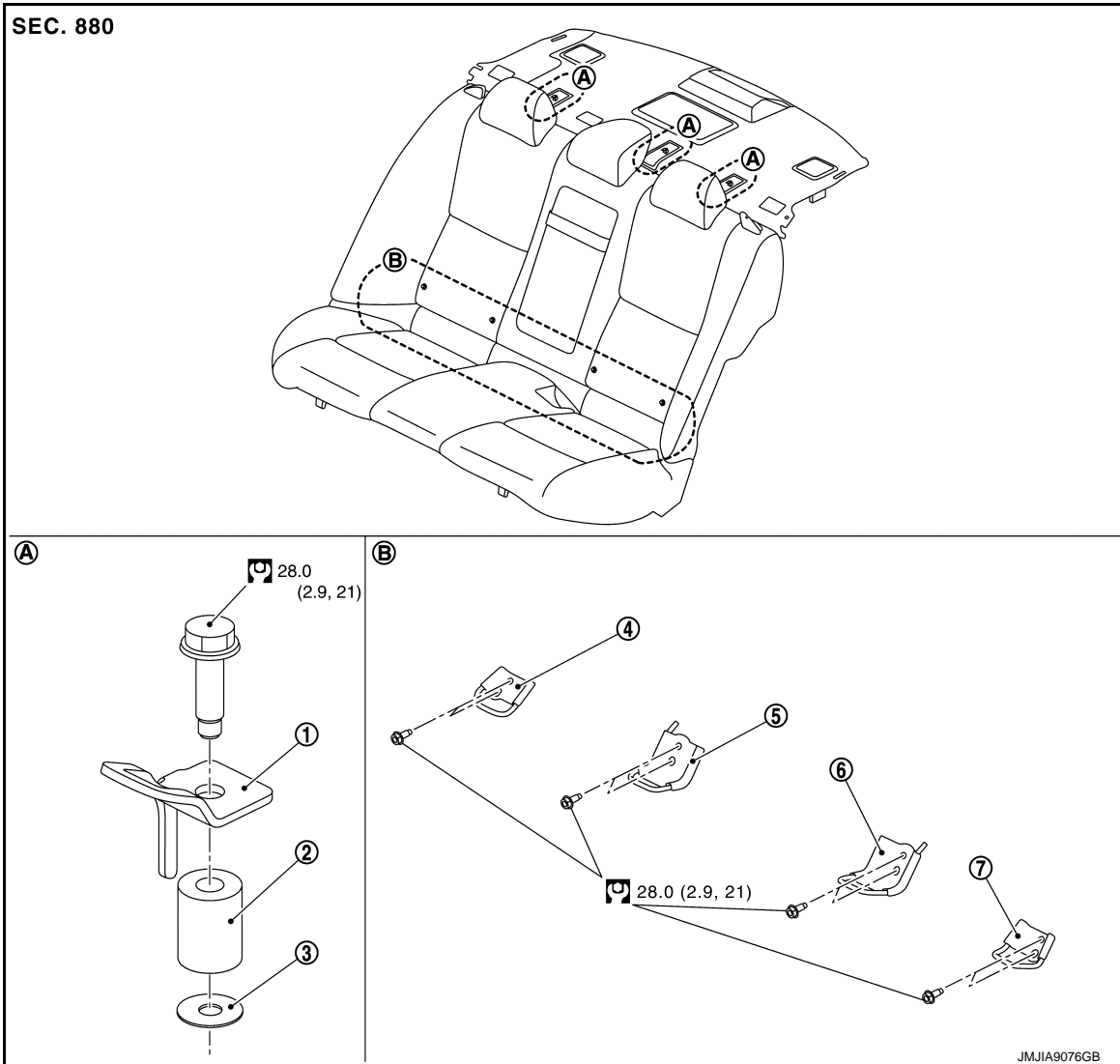
CHILD SEAT ANCHOR

< REMOVAL AND INSTALLATION >

CHILD SEAT ANCHOR

Exploded View

INFOID:000000011285132



- | | | |
|------------------------------|-----------------------------|-----------------------------|
| ① Tether anchorage plate | ② Tether anchorage spacer | ③ Lock washer |
| ④ ISO FIX bracket RH outside | ⑤ ISO FIX bracket RH inside | ⑥ ISO FIX bracket LH inside |
| ⑦ ISO FIX bracket LH outside | | |

: N·m (kg·m, ft·lb)

TETHER ANCHOR PLATE

TETHER ANCHOR PLATE : Removal and Installation

INFOID:0000000011285133

REMOVAL

1. Remove rear parcel shelf finisher. Refer to [INT-33, "Removal and Installation"](#).
2. Remove tether anchorage plate fixing bolt, and then remove tether anchorage plate.

INSTALLATION

Note the following item, and then install in the reverse order of removal.

CAUTION:

When installing, temporarily tighten all fixing bolts, and then tighten fixing bolts to specified torque.

A
B
C
D
E
F
G
H
I
SE
K
L
M
N
O
P

CHILD SEAT ANCHOR

< REMOVAL AND INSTALLATION >

ISO FIX BRACKET

ISO FIX BRACKET : Removal and Installation

INFOID:000000011285134

REMOVAL

1. Remove seat back.
Bench seat: Refer to [SE-97, "SEATBACK : Removal and Installation"](#).
Separate seat: Refer to [SE-103, "SEATBACK : Removal and Installation"](#).
2. Remove seatback hinge LH/RH (separate seat only). Refer to [SE-107, "SEATBACK HINGE : Removal and Installation"](#).
3. Remove ISO FIX bracket fixing bolt and then remove ISO FIX bracket.

INSTALLATION

Install in the reverse order of removal.

POWER SEAT SWITCH

< REMOVAL AND INSTALLATION >

POWER SEAT SWITCH

Removal and Installation

INFOID:000000011285135

REMOVAL

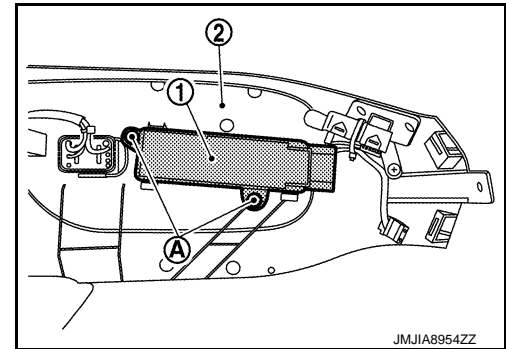
CAUTION:

When removing and installing, use shop cloths to protect parts from damage.

1. Remove front seat. Refer to [SE-79. "Removal and Installation"](#).
2. Remove seat cushion outside finisher outer side. Refer to [SE-88. "SEAT CUSHION FINISHER : Removal and Installation"](#).
3. Disconnect power seat switch connector.
4. Remove power seat switch mounting screws (A).
5. Remove power seat switch (1) from seat cushion outer finisher (2).

NOTE:

The same procedure is also performed for passenger side.



INSTALLATION

Install in the reverse order of removal.

CAUTION:

Always clamp the harness to the right place.

A

B

C

D

E

F

G

H

I

SE

K

L

M

N

O

P

LUMBAR SUPPORT SWITCH

< REMOVAL AND INSTALLATION >

LUMBAR SUPPORT SWITCH

Removal and Installation


INFOID:000000011285136

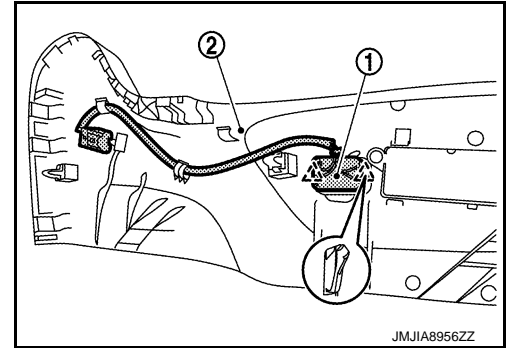
REMOVAL

CAUTION:

When removing and installing, use shop cloths to protect parts from damage.

1. Remove front seat. Refer to [SE-79. "Removal and Installation"](#).
2. Remove seat cushion outside finisher outer side. Refer to [SE-88. "SEAT CUSHION FINISHER : Removal and Installation"](#).
3. Disconnect the lumbar support switch connector.
4. Disengage the fixing pawls, and then remove lumbar support switch ① from seat cushion outer finisher ②.

 : Pawl



INSTALLATION

Install in the reverse order of removal.

CAUTION:

Always clamp the harness to the right place.

SIDE SUPPORT SWITCH

< REMOVAL AND INSTALLATION >

SIDE SUPPORT SWITCH

Removal and Installation

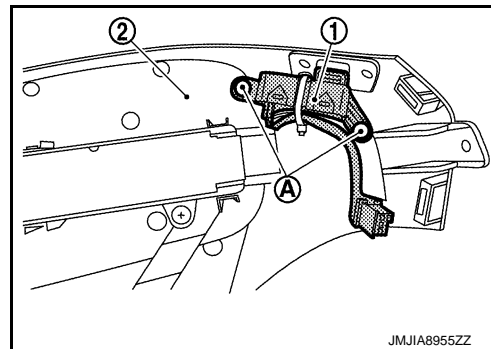
INFOID:000000011285137

REMOVAL

CAUTION:

When removing and installing, use shop cloths to protect parts from damage.

1. Remove front seat. Refer to [SE-79. "Removal and Installation"](#).
2. Remove seat cushion outside finisher outer side. Refer to [SE-88. "SEAT CUSHION FINISHER : Removal and Installation"](#).
3. Disconnect the side support switch connector.
4. Remove the side support switch mounting screws (A).
5. Remove side support switch (1) from the seat cushion outer finisher (2).



INSTALLATION

Install in the reverse order of removal.

CAUTION:

Always clamp the harness to the right place.

A
B
C
D
E
F
G
H
I
K
L
M
N
O
P

SE